



Crane Division

 **TEREX** | DEMAG AC 500-2 All Terrain Crane

 **EDWARDS**
Inc.

www.edwardsinc.com

Edwards Inc. Crane Division

Edwards hydraulic crane service is noted as being the largest in North Carolina. With our various locations, we regularly serve our market with 24 hour availability. Our vast fleet of crane rentals range from 7.5 tons to our flagship 600 ton crane. Our cranes are dispatched from a state-of-the-art computerized communication center that enables us to achieve quicker response times to our customer's requests.

Edwards also utilizes the Cranimation and 3D Lift Planning systems to specifically plan and simulate critical lifts before mobilization, and our dispatch center assists in developing your crane requirements. These services ensure the timeliness and efficiency of your resources.

We have the resources and the manpower to specialize in maintenance shutdowns, plant installations and equipment removal. Our crane operators are certified by the National Commission for the Certification of Crane Operators (CCO).

Safety is our First Concern

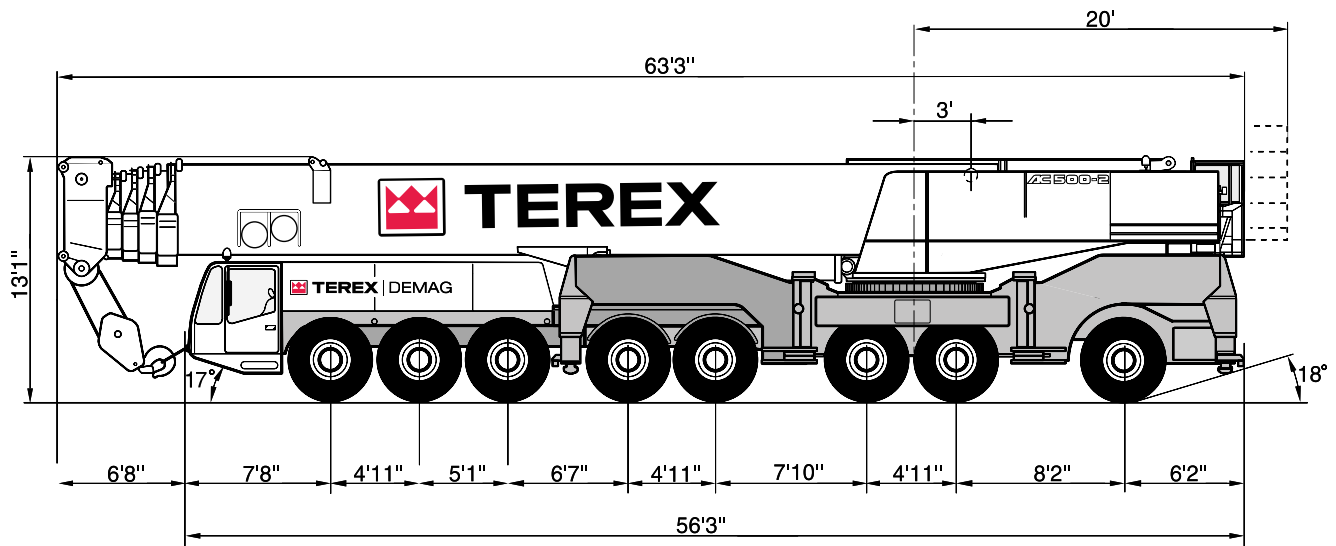
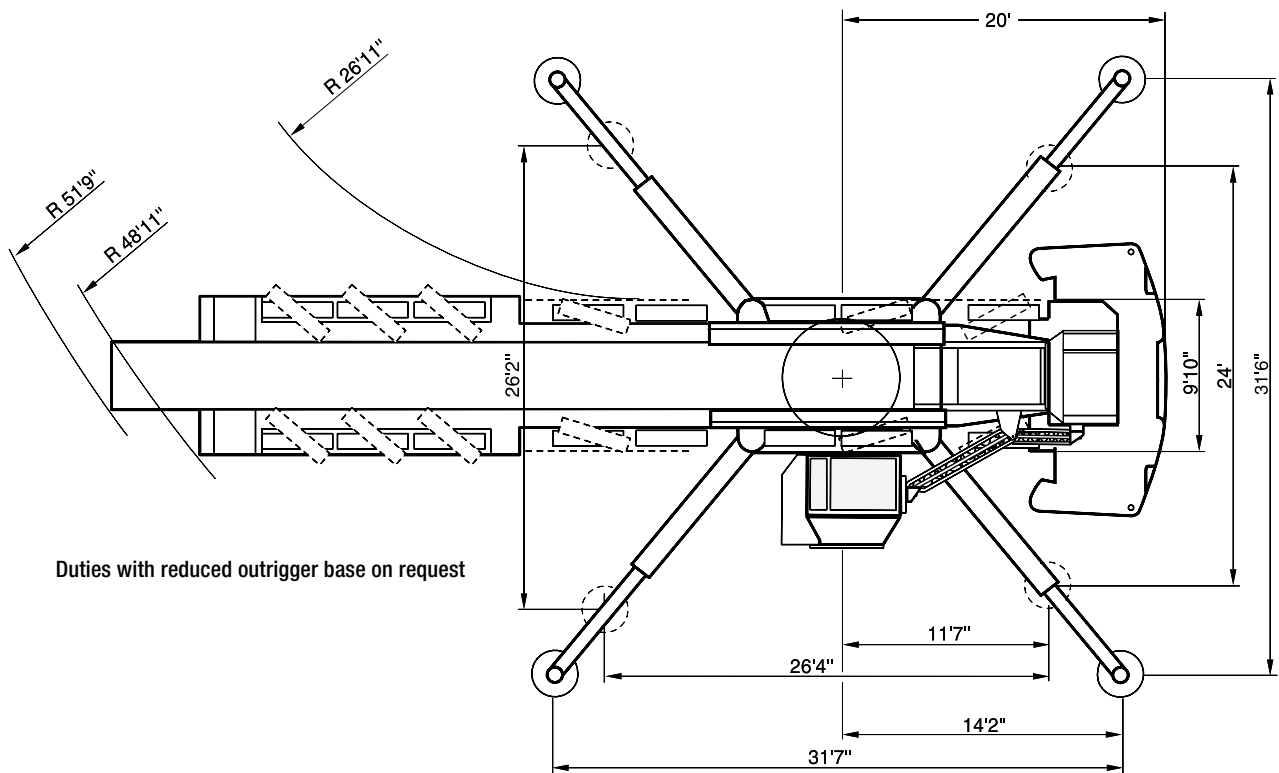
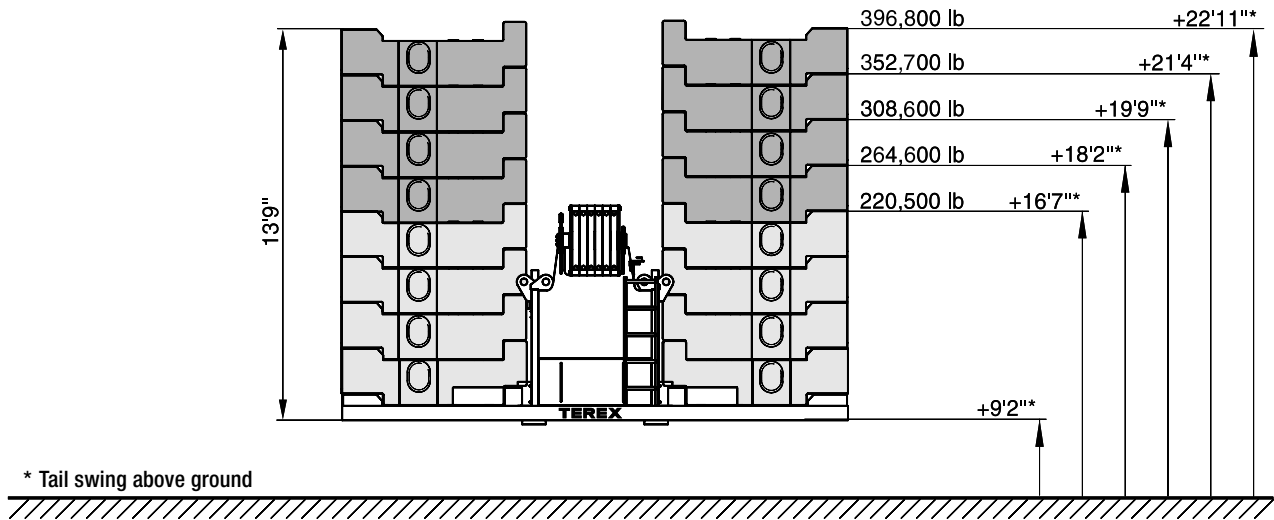
Edwards is committed to the safety and health of our employees and customers. Knowing that our clients value the same type of work environment, Edwards utilizes both a full time safety staff as well as the services of several independent professional safety consultants.

Edwards also makes use of the consultative and technical assistance services provide by the Department of Labor - OSHA Division. All employees are pre-drug screened, given safety orientations and extensive training. We understand that part of the quality in our work is the customer's confidence that we perform our projects safely.

You are welcome to review our safety program and to experience the safe atmosphere for yourself. Please do not hesitate to contact the Safety Department if you have any questions or concerns.

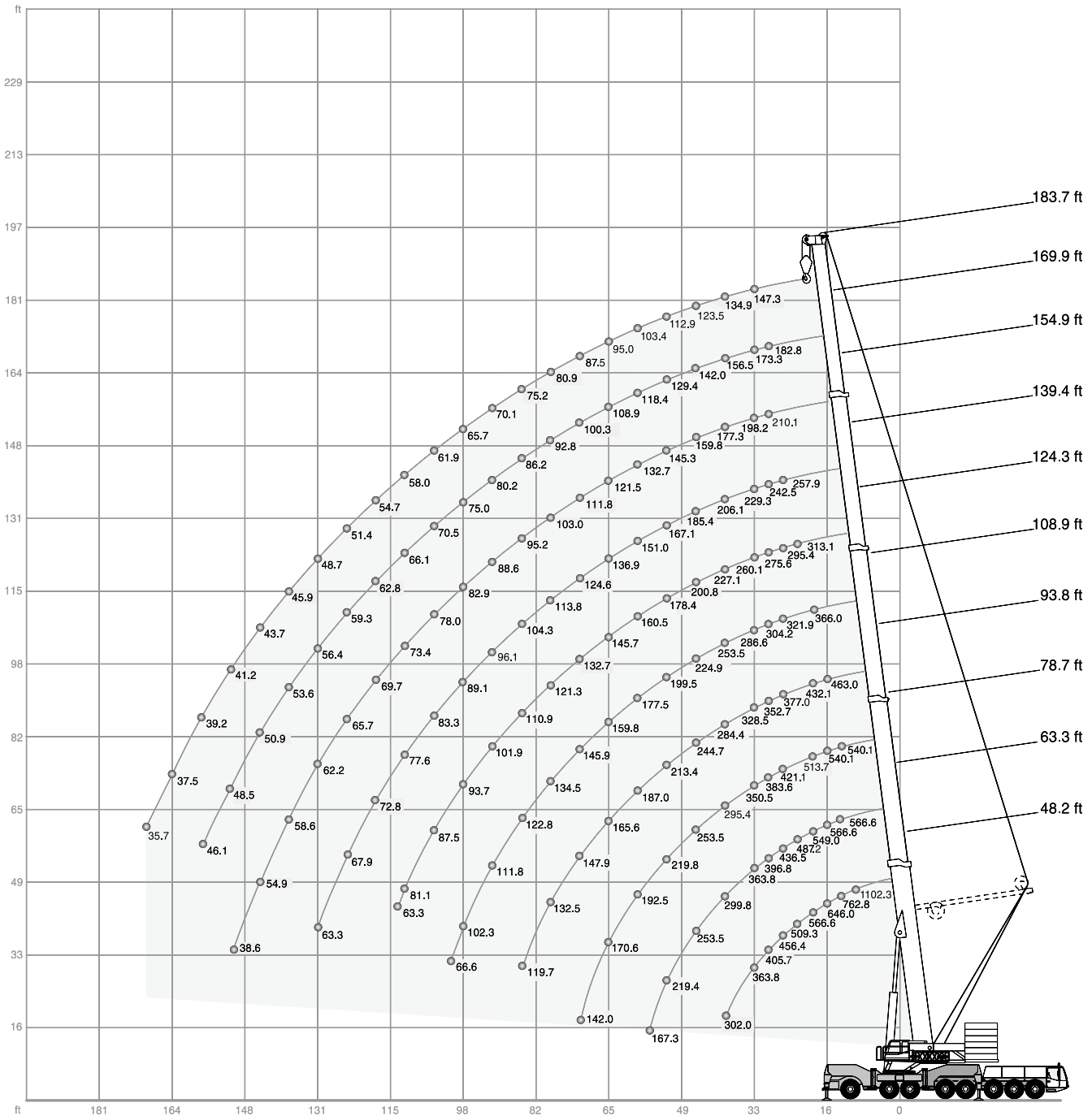


DIMENSIONS



WORKING RANGE

WORKING RANGES MAIN BOOM WITH / WITHOUT SSL



LOAD CHARTS

LIFTING CAPACITIES MAIN BOOM

352,700 lb

360°

85 %

Radius	Main boom														Radius		
	ft	48.2 ¹⁾	48.2	63.3 ¹⁾	63.3	78.7 ¹⁾	78.7	93.8	108.9	124.3	139.4	154.9	169.9	183.7			
		1,000 lb															
ft																	ft
10	1200.0*	566.6	-	-	-	-	-	-	-	-	-	-	-	-	-	-	10
12	840.0*	566.6	566.6	566.6	566.6	-	-	-	-	-	-	-	-	-	-	-	12
13	762.8*	566.6	566.6	566.6	566.6	540.1	540.1	-	-	-	-	-	-	-	-	-	13
15	698.9*	566.6	566.6	566.6	566.6	540.1	540.1	-	-	-	-	-	-	-	-	-	15
16	646.0*	557.8	566.6	566.6	555.6	540.1	540.1	463.0	-	-	-	-	-	-	-	-	16
20	566.6	493.8	549.0	493.8	513.7	493.8	432.1	366.0	-	-	-	-	-	-	-	-	20
23	509.3	443.1	487.2	443.1	465.2	443.1	405.7	343.9	313.1	-	-	-	-	-	-	-	23
26	456.4	401.2	436.5	401.2	421.1	401.2	377.0	321.9	295.4	257.9	-	-	-	-	-	-	26
30	405.7	366.0	396.8	366.0	383.6	366.0	352.7	304.2	275.6	242.5	210.1	182.8	-	-	-	-	30
33	363.8	337.3	363.8	337.3	350.5	335.1	328.5	286.6	260.1	229.3	198.2	173.3	147.3	-	-	-	33
39	302.0	288.8	299.8	288.8	295.4	286.6	284.4	253.5	227.1	206.1	177.3	156.5	134.9	-	-	-	39
46	-	-	253.5	246.9	253.5	244.7	244.7	224.9	200.8	185.4	159.8	142.0	123.5	-	-	-	46
53	-	-	219.4	214.3	219.8	211.4	213.4	199.5	178.4	167.1	145.3	129.4	112.9	-	-	-	53
59	-	-	167.3	170.9	192.5	185.0	187.0	177.5	160.5	151.0	132.7	118.4	103.4	-	-	-	59
66	-	-	-	-	170.6	163.6	165.6	159.8	145.7	136.9	121.5	108.9	95.0	-	-	-	66
72	-	-	-	-	141.8	142.0	147.9	145.9	132.7	124.6	111.8	100.3	87.5	-	-	-	72
79	-	-	-	-	-	-	132.5	134.5	121.3	113.8	103.0	92.8	80.9	-	-	-	79
85	-	-	-	-	-	-	119.7	122.8	110.9	104.3	95.2	86.2	75.2	-	-	-	85
92	-	-	-	-	-	-	-	111.8	101.9	96.1	88.6	80.2	70.1	-	-	-	92
98	-	-	-	-	-	-	-	102.3	93.7	89.1	82.9	75.0	65.7	-	-	-	98
105	-	-	-	-	-	-	-	66.6	87.5	83.3	78.0	70.5	61.9	-	-	-	105
112	-	-	-	-	-	-	-	-	81.1	77.6	73.4	66.1	58.0	-	-	-	112
118	-	-	-	-	-	-	-	-	63.3	72.8	69.7	62.8	54.7	-	-	-	118
125	-	-	-	-	-	-	-	-	-	67.9	65.7	59.3	51.4	-	-	-	125
131	-	-	-	-	-	-	-	-	-	63.3	62.2	56.4	48.7	-	-	-	131
138	-	-	-	-	-	-	-	-	-	-	58.6	53.6	45.9	-	-	-	138
144	-	-	-	-	-	-	-	-	-	-	54.9	50.9	43.7	-	-	-	144
151	-	-	-	-	-	-	-	-	-	-	38.6	48.5	41.2	-	-	-	151
158	-	-	-	-	-	-	-	-	-	-	-	46.1	39.2	-	-	-	158
164	-	-	-	-	-	-	-	-	-	-	-	-	37.5	-	-	-	164
171	-	-	-	-	-	-	-	-	-	-	-	-	35.7	-	-	-	171

Remarks

¹⁾ 396,800 lb counterweight, additional central outriggers, double hook block required

* over rear

LOAD CHARTS

LIFTING CAPACITIES MAIN BOOM WITH SSL

☰ 396,800 lb

↔ 360°

85 %

Radius	Main boom							Radius
	ft	108.9	124.3	139.4	154.9	169.9	183.7	
ft	1,000 lb							ft
20	412.3	-	-	-	-	-	-	20
23	399.0	366.0	328.5	-	-	-	-	23
26	383.6	354.9	321.9	275.6	-	-	-	26
30	357.1	343.9	315.3	269.0	266.8	-	-	30
33	326.3	321.9	308.6	264.6	253.5	229.3	-	33
39	275.6	273.4	271.2	251.3	222.7	204.6	-	39
46	240.3	235.9	233.7	233.7	203.0	182.5	-	46
53	210.5	209.0	206.6	205.7	193.1	163.4	-	53
59	183.0	185.6	184.1	183.4	182.8	153.2	-	59
66	166.0	163.6	166.7	165.1	164.7	145.5	-	66
72	154.3	145.3	154.8	149.9	149.7	138.0	-	72
79	141.1	130.1	140.0	134.5	136.9	131.0	-	79
85	128.1	117.1	127.0	121.5	123.9	123.9	-	85
92	117.1	106.0	115.7	110.5	112.7	113.1	-	92
98	103.2	96.6	106.3	100.8	103.0	103.4	-	98
105	-	88.2	97.7	92.4	94.6	94.8	-	105
112	-	78.5	90.4	84.9	87.1	87.3	-	112
118	-	-	83.8	78.3	80.2	80.7	-	118
125	-	-	76.1	72.3	74.3	74.7	-	125
131	-	-	55.6	66.8	69.0	69.2	-	131
138	-	-	-	61.3	63.9	64.4	-	138
144	-	-	-	51.6	59.5	59.7	-	144
151	-	-	-	-	55.1	55.6	-	151
158	-	-	-	-	47.4	51.8	-	158
164	-	-	-	-	-	48.1	-	164
171	-	-	-	-	-	41.0	-	171
177	-	-	-	-	-	-	-	177

☰ 264,600 lb

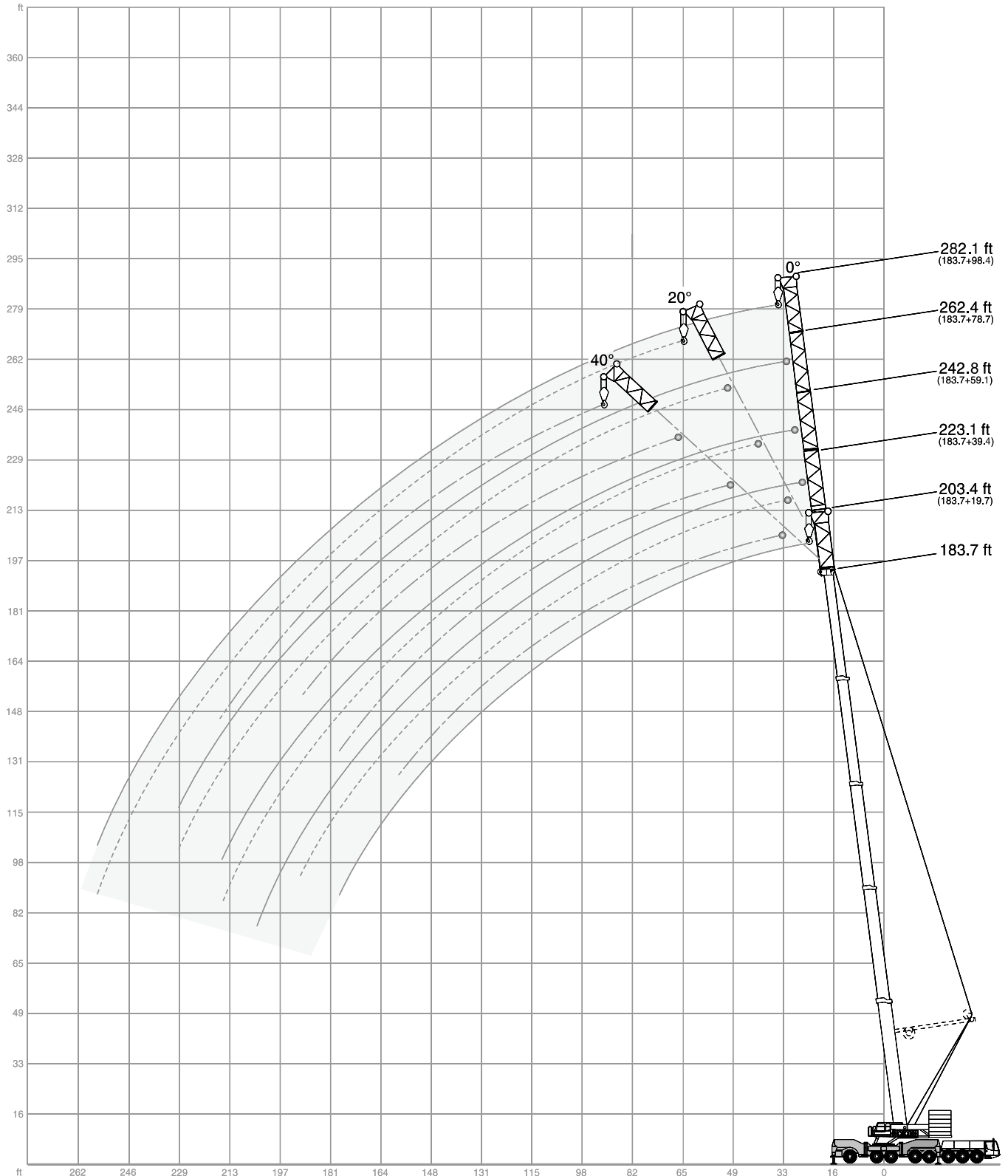
↔ 360°

85 %

Radius	Main boom							Radius
	ft	108.9	124.3	139.4	154.9	169.9	183.7	
ft	1,000 lb							ft
20	412.3	-	-	-	-	-	-	20
23	399.0	366.0	328.5	-	-	-	-	23
26	379.2	354.9	321.9	275.6	-	-	-	26
30	343.9	343.9	315.3	269.0	266.8	-	-	30
33	310.9	313.1	308.6	264.6	253.5	229.3	-	33
39	253.5	255.7	257.9	251.3	222.7	204.6	-	39
46	213.2	215.8	217.8	220.5	203.0	182.5	-	46
53	188.7	184.5	190.5	189.4	191.8	163.4	-	53
59	169.5	158.7	168.7	163.4	165.8	153.2	-	59
66	149.0	138.0	148.2	142.9	145.1	145.5	-	66
72	131.4	118.2	130.1	123.7	126.5	127.0	-	72
79	114.9	101.9	113.8	107.4	110.0	110.5	-	79
85	101.4	88.4	100.1	93.9	96.6	97.0	-	85
92	90.2	77.2	88.8	82.5	85.1	85.5	-	92
98	80.5	67.9	79.1	73.0	75.4	75.8	-	98
105	-	59.5	71.0	64.8	67.2	67.7	-	105
112	-	52.5	63.9	57.8	60.4	60.6	-	112
118	-	-	58.0	51.4	54.0	54.5	-	118
125	-	-	52.7	45.9	48.5	48.7	-	125
131	-	-	38.1	41.0	43.4	43.9	-	131
138	-	-	-	36.6	39.0	39.5	-	138
144	-	-	-	32.8	35.1	35.5	-	144
151	-	-	-	-	31.7	32.0	-	151
158	-	-	-	-	28.7	28.7	-	158
164	-	-	-	-	-	25.8	-	164
171	-	-	-	-	-	23.4	-	171
177	-	-	-	-	-	-	-	177

WORKING RANGE

WORKING RANGES MAIN BOOM EXTENSION WITH / WITHOUT SSL



1-877-EDWARDS

 **TEREX** | DEMAG AC 500-2

LOAD CHARTS

LIFTING CAPACITIES MAIN BOOM EXTENSION

308,600 lb

360°

85 %

183.7 ft Main boom

Radius	Extension												Radius	
	19.7 ft			39.4 ft			59.1 ft			78.7 ft				98.4 ft
ft	0°	0°	20°	40°*	0°	20°	40°*	0°	20°	40°*	0°	20°	40°	ft
39	106.7	-	-	-	-	-	-	-	-	-	-	-	-	39
46	97.4	82.7	-	-	68.6	-	-	-	-	-	-	-	-	46
53	89.1	75.6	-	-	63.5	-	-	55.3	-	-	-	-	-	53
59	82.0	69.4	59.7	-	59.1	-	-	51.6	-	-	45.0	-	-	59
66	75.6	63.9	56.4	49.4	54.9	43.7	-	48.1	-	-	41.9	-	-	66
72	69.9	59.1	53.1	47.2	51.1	41.7	-	45.0	-	-	39.2	-	-	72
79	65.0	54.9	50.0	45.2	47.8	39.7	34.2	42.1	33.3	-	36.8	-	-	79
85	60.6	51.1	47.2	43.2	44.8	37.9	33.1	39.5	31.7	-	34.6	-	-	85
92	56.9	48.1	44.5	41.2	42.1	36.2	32.0	37.3	30.2	-	32.6	25.6	-	92
98	53.4	45.2	42.1	39.2	39.5	34.6	30.9	35.1	28.9	24.9	30.6	24.5	-	98
105	50.0	42.5	39.9	37.3	37.5	33.1	29.8	33.3	27.8	24.0	29.1	23.4	-	105
112	47.0	40.1	37.9	35.5	35.3	31.5	28.7	31.3	26.5	23.4	27.6	22.5	19.4	112
118	44.3	37.9	35.9	34.0	33.5	30.0	27.6	29.8	25.4	22.7	26.0	21.6	18.7	118
125	41.7	35.7	34.2	32.2	31.7	28.7	26.7	28.2	24.5	22.0	24.7	20.7	18.1	125
131	39.2	34.0	32.4	30.6	30.0	27.6	25.8	26.9	23.4	21.4	23.6	19.8	17.4	131
138	37.0	32.0	30.9	29.1	28.4	26.2	24.9	25.6	22.5	20.5	22.3	19.0	16.8	138
144	35.1	30.2	29.5	28.0	27.1	25.1	24.0	24.3	21.6	19.8	21.2	18.3	16.3	144
151	33.1	28.7	28.2	26.7	25.6	24.0	23.1	22.9	20.7	19.2	20.3	17.4	15.7	151
158	31.5	27.3	26.9	25.6	24.5	23.1	22.5	21.8	20.1	18.7	19.2	16.8	15.2	158
164	30.0	25.8	25.6	-	23.1	22.0	21.6	20.7	19.2	18.1	18.3	16.1	14.8	164
177	27.3	23.6	23.4	-	20.9	20.3	20.1	18.5	17.9	16.8	16.5	14.8	13.9	177
190	-	21.6	21.4	-	19.0	18.5	-	16.8	16.3	15.7	14.8	13.4	13.0	190
203	-	19.8	-	-	17.2	16.8	-	15.0	15.0	-	13.2	12.1	12.1	203
217	-	-	-	-	15.7	15.2	-	13.4	13.4	-	11.9	11.0	11.2	217
230	-	-	-	-	-	-	-	12.1	12.1	-	10.4	9.9	-	230
243	-	-	-	-	-	-	-	10.8	-	-	9.0	8.6	-	243
256	-	-	-	-	-	-	-	-	-	-	7.7	7.5	-	256

88,200 lb

360°

85 %

183.7 ft Main boom

Radius	Extension												Radius	
	19.7 ft			39.4 ft			59.1 ft			78.7 ft				98.4 ft
ft	0°	0°	20°	40°	0°	20°	40°	0°	20°	40°	0°	20°	40°	ft
39	106.7	-	-	-	-	-	-	-	-	-	-	-	-	39
46	97.4	82.7	-	-	68.6	-	-	-	-	-	-	-	-	46
53	81.6	75.6	-	-	63.5	-	-	55.3	-	-	-	-	-	53
59	65.0	63.7	59.7	-	59.1	-	-	51.6	-	-	45.0	-	-	59
66	52.7	51.4	56.4	49.4	50.9	43.7	-	48.1	-	-	41.9	-	-	66
72	43.0	41.9	47.6	47.2	41.7	41.7	-	41.4	-	-	39.2	-	-	72
79	35.3	34.2	39.5	43.9	34.2	39.7	34.2	34.2	33.3	-	34.4	-	-	79
85	28.9	28.0	32.6	36.6	28.0	35.1	33.1	28.0	31.7	-	28.4	-	-	85
92	23.6	22.9	27.1	30.4	22.9	29.1	32.0	23.1	30.2	-	23.6	25.6	-	92
98	19.0	18.5	22.3	25.4	18.7	24.3	29.3	19.0	26.2	24.9	19.4	24.5	-	98
105	15.2	15.0	18.3	20.9	15.0	20.3	24.7	15.2	22.0	24.0	15.9	23.4	-	105
112	11.9	11.7	14.8	17.0	11.9	16.5	20.7	12.1	18.5	23.4	12.8	20.5	19.4	112
118	9.0	8.6	11.5	13.4	9.3	13.4	17.2	9.5	15.2	20.5	10.1	17.2	18.7	118
125	6.4	6.2	8.6	10.4	6.8	10.8	14.1	7.1	12.3	17.2	7.7	14.3	18.1	125
131	-	-	6.2	7.7	4.6	8.4	11.0	5.1	9.9	14.3	5.7	11.9	17.4	131
138	-	-	-	5.3	-	6.2	8.6	-	7.7	11.7	-	9.5	14.8	138
144	-	-	-	-	-	-	6.2	-	5.7	9.3	-	7.5	12.3	144
151	-	-	-	-	-	-	-	-	-	7.3	-	5.7	10.1	151
158	-	-	-	-	-	-	-	-	-	5.3	-	-	7.9	158
164	-	-	-	-	-	-	-	-	-	-	-	-	6.2	164
177	-	-	-	-	-	-	-	-	-	-	-	-	-	177

Remarks

* 264,600 lb Counterweight

LOAD CHARTS

LIFTING CAPACITIES MAIN BOOM EXTENSION WITH SSL 0°

 396,800 lb

 360°

85 %

183.7 ft Main boom

Radius	Extension												Radius	
	19.7 ft			39.4 ft			59.1 ft			78.7 ft				98.4 ft
ft	0°	0°	20°	40°	0°	20°	40°	0°	20°	40°	0°	20°	40°	ft
	1,000 lb													
30	110.2	-	-	-	-	-	-	-	-	-	-	-	-	30
33	110.2	-	-	-	-	-	-	-	-	-	-	-	-	33
39	110.2	100.8	-	-	82.5	-	-	-	-	-	-	-	-	39
46	110.2	99.4	-	-	81.8	-	-	66.8	-	-	55.3	-	-	46
53	110.2	97.7	85.1	-	80.7	-	-	63.9	-	-	53.1	-	-	53
59	110.2	95.5	82.2	67.9	79.1	59.1	-	61.1	-	-	50.9	-	-	59
66	107.6	92.8	79.1	65.7	77.4	56.4	-	58.4	-	-	48.9	-	-	66
72	104.7	90.2	76.3	63.5	75.2	54.0	-	55.8	39.2	-	46.7	-	-	72
79	101.9	87.1	73.2	61.5	72.8	51.8	41.2	53.1	37.9	-	44.8	-	-	79
85	98.8	83.8	70.1	59.5	70.1	49.8	40.1	50.7	36.4	-	43.0	30.9	-	85
92	95.7	80.7	67.0	57.8	67.2	47.8	39.2	48.5	35.3	28.9	41.0	29.8	-	92
98	92.4	77.4	64.2	56.2	64.6	46.1	38.1	46.1	34.0	28.2	39.2	28.7	-	98
105	89.1	74.3	61.3	54.7	61.7	44.5	37.5	44.1	33.1	27.6	37.5	27.6	22.3	105
112	85.8	71.0	58.6	53.1	59.1	43.0	36.6	42.1	32.0	27.1	35.9	26.7	21.8	112
118	82.0	68.1	56.4	51.8	56.7	41.7	35.9	40.3	31.1	26.7	34.4	25.8	21.2	118
125	76.1	65.3	54.2	50.5	54.0	40.3	35.1	38.6	30.2	26.0	32.8	24.9	20.7	125
131	70.5	62.6	52.5	49.2	51.8	39.2	34.4	37.0	29.5	25.6	31.5	24.3	20.3	131
138	65.8	60.1	50.9	48.2	49.6	38.3	33.8	35.7	28.8	25.2	30.3	23.6	19.8	138
144	61.1	57.5	49.4	47.2	47.4	37.3	33.3	34.4	28.0	24.9	29.1	22.9	19.4	144
151	57.0	55.2	48.1	46.3	45.6	36.4	33.0	33.3	27.3	24.6	28.0	22.3	19.1	151
158	52.9	52.9	46.7	45.4	43.9	35.5	32.6	32.2	26.7	24.3	26.9	21.6	18.7	158
164	49.5	49.5	45.6	-	42.2	34.7	32.3	31.2	26.1	23.9	26.1	21.1	18.4	164
177	42.9	43.2	42.9	-	39.2	33.4	31.7	29.4	25.1	23.4	24.6	20.1	17.9	177
190	-	37.8	38.6	-	36.8	32.4	-	28.1	24.3	22.9	23.1	19.2	17.3	190
203	-	32.0	-	-	34.0	31.7	-	26.9	23.5	-	22.0	18.3	17.1	203
217	-	-	-	-	29.4	30.6	-	25.8	22.7	-	20.9	17.6	16.8	217
230	-	-	-	-	-	-	-	24.8	22.3	-	20.0	17.2	-	230
243	-	-	-	-	-	-	-	-	-	-	19.0	16.8	-	243
256	-	-	-	-	-	-	-	-	-	-	17.9	16.5	-	256

 220,500 lb

 360°

85 %

ft	Extension												ft	
	19.7 ft			39.4 ft			59.1 ft			78.7 ft				98.4 ft
	0°	0°	20°	40°	0°	20°	40°	0°	20°	40°	0°	20°	40°	
	1,000 lb													
30	110.2	-	-	-	-	-	-	-	-	-	-	-	-	30
33	110.2	-	-	-	-	-	-	-	-	-	-	-	-	33
39	110.2	100.8	-	-	82.5	-	-	-	-	-	-	-	-	39
46	110.2	99.4	-	-	81.8	-	-	66.8	-	-	55.3	-	-	46
53	110.2	97.7	85.1	-	80.7	-	-	63.9	-	-	53.1	-	-	53
59	110.2	95.5	82.2	67.9	79.1	59.1	-	61.1	-	-	50.9	-	-	59
66	107.6	92.8	79.1	65.7	77.4	56.4	-	58.4	-	-	48.9	-	-	66
72	104.7	90.2	76.3	63.5	75.2	54.0	-	55.8	39.2	-	46.7	-	-	72
79	93.5	87.1	73.2	61.5	72.8	51.8	41.2	53.1	37.9	-	44.8	-	-	79
85	81.4	81.8	70.1	59.5	70.1	49.8	40.1	50.7	36.4	-	43.0	30.9	-	85
92	71.2	71.7	67.0	57.8	67.2	47.8	39.2	48.5	35.3	28.9	41.0	29.8	-	92
98	62.8	63.3	64.2	56.2	64.6	46.1	38.1	46.1	34.0	28.2	39.2	28.7	-	98
105	55.6	56.0	59.5	54.7	57.3	44.5	37.5	44.1	33.1	27.6	37.5	27.6	22.3	105
112	49.2	49.6	52.9	53.1	50.9	43.0	36.6	42.1	32.0	27.1	35.9	26.7	21.8	112
118	43.4	43.9	47.2	49.4	45.2	41.7	35.9	40.3	31.1	26.7	34.4	25.8	21.2	118
125	38.6	38.8	41.9	44.1	40.1	40.3	35.1	38.6	30.2	26.0	32.8	24.9	20.7	125
131	34.0	34.4	37.3	39.0	35.7	39.2	34.4	37.0	29.5	25.6	31.5	24.3	20.3	131
138	30.3	30.6	33.2	34.7	32.0	35.5	33.8	33.4	28.8	25.2	30.3	23.6	19.8	138
144	26.7	26.9	29.1	30.4	28.2	31.7	33.3	29.8	28.0	24.9	29.1	22.9	19.4	144
151	23.6	23.8	25.9	27.0	25.1	28.4	30.3	26.7	27.3	24.6	27.1	22.3	19.1	151
158	20.5	20.7	22.7	23.6	22.0	25.1	27.3	23.6	26.7	24.3	25.1	21.6	18.7	158
164	18.1	18.3	20.0	-	19.5	22.4	24.3	21.1	24.4	23.9	22.6	21.1	18.4	164
177	13.6	13.7	15.0	-	14.9	17.3	18.5	16.3	19.6	22.0	17.9	20.1	17.9	177
190	-	9.8	10.8	-	11.0	12.9	-	12.3	15.2	17.1	13.8	17.5	17.3	190
203	-	6.4	-	-	7.7	9.1	-	9.0	11.5	-	10.4	13.7	15.5	203
217	-	-	-	-	4.9	6.0	-	6.2	7.9	-	7.3	10.1	11.9	217
230	-	-	-	-	-	-	-	-	5.1	-	4.9	7.1	-	230

LOAD CHARTS

LIFTING CAPACITIES MAIN BOOM EXTENSION WITH SSL 30°

396,800 lb		360°				85 %
183.7 ft Main boom						
Radius	Extension				Radius	
	39.4 ft	59.1 ft	78.7 ft	98.4 ft		
0°	0°	0°	0°	0°		
ft	1,000 lb				ft	
39	108.0	92.4	-	-	39	
46	104.7	88.2	72.8	63.1	46	
53	101.2	84.2	67.5	58.4	53	
59	97.2	80.2	62.8	54.2	59	
66	93.0	76.3	58.6	50.5	66	
72	88.6	72.5	54.9	47.2	72	
79	84.2	69.0	51.6	44.3	79	
85	79.8	65.5	48.7	41.7	85	
92	75.4	62.2	46.1	39.2	92	
98	71.2	59.1	43.7	37.3	98	
105	67.2	56.2	41.9	35.5	105	
112	63.3	53.4	39.9	33.7	112	
118	60.0	50.7	38.4	32.4	118	
125	56.7	48.3	36.8	31.1	125	
131	53.8	46.1	35.3	29.8	131	
138	51.1	44.1	34.1	28.7	138	
144	48.5	42.1	32.8	27.6	144	
151	46.1	40.3	31.7	26.6	151	
158	43.7	38.6	30.6	25.6	158	
164	41.6	37.0	29.5	24.7	164	
177	37.4	34.0	27.6	23.0	177	
190	33.3	31.0	25.9	21.6	190	
203	-	28.1	24.3	20.2	203	
217	-	24.8	22.5	19.0	217	
230	-	-	20.9	18.0	230	
243	-	-	-	16.8	243	
256	-	-	-	15.7	256	

220,500 lb		360°				85 %
183.7 ft Main boom						
Radius	Extension				Radius	
	39.4 ft	59.1 ft	78.7 ft	98.4 ft		
0°	0°	0°	0°	0°		
ft	1,000 lb				ft	
39	108.0	92.4	-	-	39	
46	104.7	88.2	72.8	63.1	46	
53	101.2	84.2	67.5	58.4	53	
59	97.2	80.2	62.8	54.2	59	
66	93.0	76.3	58.6	50.5	66	
72	88.6	72.5	54.9	47.2	72	
79	84.2	69.0	51.6	44.3	79	
85	79.8	65.5	48.7	41.7	85	
92	71.7	62.2	46.1	39.2	92	
98	63.3	59.1	43.7	37.3	98	
105	56.0	56.2	41.9	35.5	105	
112	49.6	50.9	39.9	33.7	112	
118	43.9	45.2	38.4	32.4	118	
125	38.8	40.1	36.8	31.1	125	
131	34.4	35.7	35.3	29.8	131	
138	30.6	32.0	32.5	28.7	138	
144	26.9	28.2	29.8	27.6	144	
151	23.8	25.1	26.7	26.3	151	
158	20.7	22.0	23.6	25.1	158	
164	18.3	19.5	21.1	22.6	164	
177	13.7	14.9	16.3	17.9	177	
190	9.8	11.0	12.3	13.8	190	
203	-	7.6	9.0	10.4	203	
217	-	4.9	6.2	7.3	217	
230	-	-	-	4.9	230	

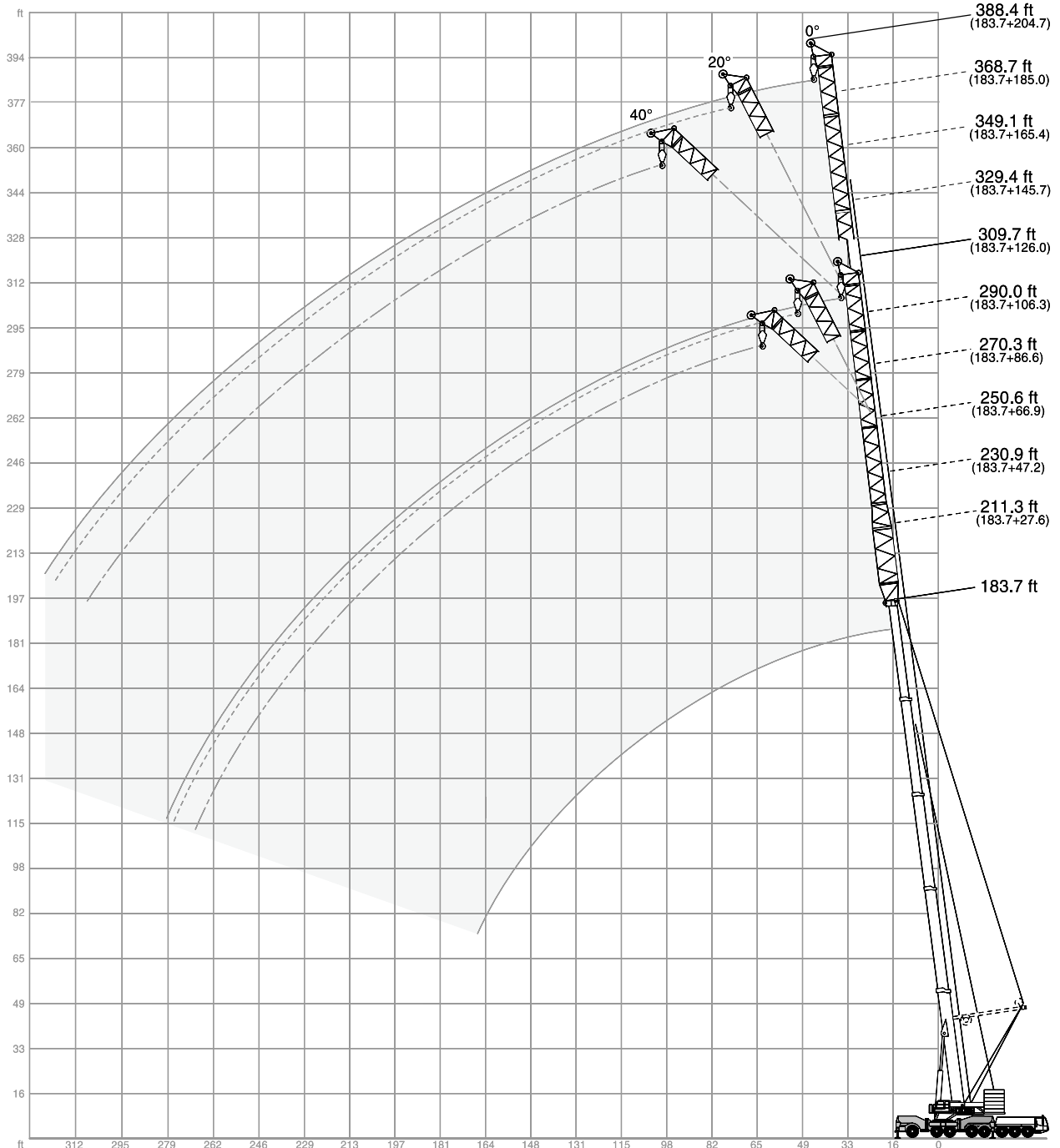
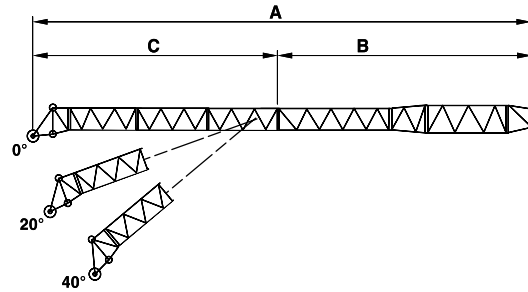
WORKING RANGE

WORKING RANGES FIXED FLY JIB WITH / WITHOUT SSL

OFFSET FIXED FLY JIB

A	B	C
0° / 20° / 40°		
86.6 ft	48.9 ft	37.7 ft
106.3 ft	48.9 ft	57.4 ft
126.0 ft	68.6 ft	57.4 ft
145.7 ft	68.6 ft	77.0 ft
165.4 ft	88.2 ft	77.0 ft
185.0 ft	88.2 ft	96.8 ft
204.7 ft	107.9 ft	96.8 ft

(27.6 ft, 47.2 ft + 66.9 ft only 0°)



LOAD CHARTS

LIFTING CAPACITIES FIXED FLY JIB

360° 85 %

183.4 ft Main boom

Radius ft	Fly jib												Radius ft									
	27.6 ft			47.2 ft			66.9 ft			86.6 ft				106.3 ft			126.0 ft					
	0°			0°			0°			0° 20° 40°			0° 20° 40°			0° 20° 40°						
	1,000 lb																					
46	90.6			76.9			-			-			-			-			-			46
53	82.2			70.3			62.6			52.7			-			-			-			53
59	74.7			64.4			58.0			48.7			43.0			-			-			59
66	68.3			59.1			53.8			45.2	40.6		39.9			-			35.1			66
72	62.6			54.2			49.8			41.9	37.9		37.0			-			32.4			72
79	58.1			50.3			46.5			39.1	35.5	33.5	34.6	30.4				30.2				79
85	53.6			46.3			43.2			36.4	33.3	31.7	32.2	28.7				28.0	25.6			85
92	49.9			43.1			40.3			34.1	31.3	30.0	30.1	26.9	25.1			26.1	24.0			92
98	46.3			39.9			37.5			31.7	29.5	28.2	28.0	25.4	23.8			24.3	22.5	21.4		98
105	43.5			37.4			35.2			29.8	28.0	26.9	26.3	24.0	22.7			22.7	21.2	20.3		105
112	40.8			34.8			32.8			27.8	26.5	25.4	24.7	22.7	21.4			21.2	19.8	19.2		112
118	38.4			32.7			31.0			26.2	25.1	24.3	23.3	21.4	20.5			19.8	18.7	18.1		118
125	35.9			30.6			29.1			24.7	23.8	22.9	21.8	20.3	19.4			18.5	17.6	17.2		125
131	34.0			28.9			27.4			23.4	22.5	21.8	20.6	19.2	18.5			17.5	16.5	16.1		131
144	30.3			25.7			24.5			20.8	20.3	19.8	18.4	17.4	16.8			15.5	14.8	14.6		144
158	27.2			22.9			21.9			18.5	18.3	18.1	16.4	15.7	15.2			13.7	13.2	13.0		158
171	24.4			20.5			19.7			16.4	16.4	16.5	14.6	14.1	13.9			12.0	11.8	11.7		171
184	21.5			18.4			18.0			14.7	14.8	14.9	12.9	12.8	12.7			10.6	10.6	10.5		184
197	18.6			16.5			16.5			13.2	13.1	13.2	11.4	11.5	11.5			9.3	9.4	9.3		197
210	-			14.7			15.0			11.7	11.7	-	10.1	10.3	10.4			8.2	8.3	8.4		210
223	-			-			13.7			10.6	10.6	-	9.0	9.0	-			7.1	7.3	7.4		223
236	-			-			12.4			9.5	9.5	-	7.9	8.2	-			6.2	6.4	-		236
249	-			-			-			8.6	-	-	7.1	7.3	-			5.3	5.5	-		249
263	-			-			-			-	-	-	6.4	6.4	-			4.4	4.6	-		263
276	-			-			-			-	-	-	5.7	-	-			-	-	-		276

ft	145.7 ft			165.4 ft			185.0 ft			204.7 ft			ft
	1,000 lb												
72	29.3	-	-	25.8	-	-	-	-	-	-	-	72	
79	27.3	-	-	24.0	-	-	21.2	-	-	-	-	79	
85	25.4	-	-	22.3	-	-	19.8	-	-	-	17.2	85	
92	23.7	-	-	20.7	-	-	18.5	-	-	-	16.0	92	
98	22.0	20.1	-	19.2	17.9	-	17.2	-	-	-	14.8	98	
105	20.6	19.0	-	17.9	16.8	-	16.0	-	-	-	13.7	105	
112	19.2	17.9	16.8	16.5	15.7	-	14.8	13.7	-	-	12.6	112	
118	18.0	16.8	15.9	15.4	14.8	14.3	13.7	12.8	-	-	11.6	118	
125	16.8	15.9	15.0	14.3	13.9	13.4	12.6	11.9	-	-	10.6	125	
131	15.8	14.8	14.3	13.3	13.0	12.6	11.7	11.2	-	-	9.7	131	
144	13.9	13.2	12.8	11.6	11.2	11.2	10.0	9.7	9.7	-	7.9	144	
158	12.2	11.7	11.5	10.0	9.9	9.9	8.5	8.4	8.4	-	6.4	158	
171	10.8	10.4	10.3	8.7	8.6	8.7	7.2	7.2	7.4	-	5.2	171	
184	9.5	9.3	9.1	7.6	7.5	7.6	6.1	6.2	6.3	-	4.4	184	
197	8.2	8.2	8.2	6.5	6.5	6.6	5.1	5.1	5.3	-	-	197	
210	7.2	7.2	7.3	5.5	5.5	5.7	-	-	4.4	-	-	210	
223	6.2	6.2	6.4	4.6	4.6	4.9	-	-	-	-	-	223	
236	5.3	5.5	5.6	-	-	-	-	-	-	-	-	236	
249	4.4	4.6	4.9	-	-	-	-	-	-	-	-	249	

Remarks

Counterweight 88,200 lb 132,300 lb 176,400 lb 220,500 lb 264,600 lb 308,600 lb 352,700 lb

Max. capacities with minimum counterweight

Further counterweight configurations on request

LOAD CHARTS

LIFTING CAPACITIES FIXED FLY JIB WITH SSL

☰  360° 85 %

183.4 ft Main boom		Fly jib												
Radius	27.6 ft	47.2 ft	66.9 ft	86.6 ft			106.3 ft			126.0 ft			Radius	
	0°	0°	0°	0°	20°	40°	0°	20°	40°	0°	20°	40°		
ft	1,000 lb												ft	
39	159.0	95.7	-	-	-	-	-	-	-	-	-	-	39	
46	146.4	123.2	103.6	58.6	-	-	-	-	-	-	-	-	46	
53	134.7	113.1	95.2	81.8	-	-	70.8	-	-	41.9	-	-	53	
59	124.1	104.3	88.0	75.4	57.1	-	65.7	-	-	57.8	-	-	59	
66	114.4	96.3	81.6	69.9	54.0	-	60.8	-	-	53.6	-	-	66	
72	105.6	89.5	76.1	64.8	50.9	43.9	56.7	40.6	-	49.8	-	-	72	
79	97.8	83.7	71.4	60.7	48.3	41.9	53.0	38.6	-	46.6	35.1	-	79	
85	91.5	77.8	66.8	56.7	45.6	40.1	49.4	36.6	31.3	43.4	33.3	-	85	
92	87.0	73.1	63.2	53.4	43.4	38.6	46.4	34.8	30.4	40.7	31.5	27.3	92	
98	82.5	68.3	59.5	50.0	41.2	36.8	43.4	33.1	29.3	37.9	30.0	26.2	98	
105	78.5	64.8	56.7	47.4	39.5	35.5	41.1	31.5	28.2	35.7	28.7	25.4	105	
112	74.5	61.5	53.8	44.8	37.5	34.0	38.8	30.0	27.3	33.5	27.1	24.3	112	
118	71.3	58.8	51.3	42.7	35.9	32.8	36.8	28.7	26.2	31.7	25.8	23.4	118	
125	68.1	56.0	48.7	40.6	34.4	31.5	34.8	27.3	25.4	30.0	24.7	22.5	125	
131	64.0	53.6	46.2	38.7	33.1	30.4	33.3	26.0	24.3	28.5	23.6	21.6	131	
144	55.7	49.2	41.3	35.2	30.6	28.2	30.4	23.8	22.5	25.9	21.4	20.1	144	
158	47.6	45.4	37.8	32.0	28.2	26.5	27.9	21.8	20.7	23.6	19.6	18.5	158	
171	40.8	41.2	35.2	29.0	26.2	24.7	25.7	20.3	19.2	21.6	18.1	17.2	171	
184	35.1	36.0	32.8	26.2	24.5	23.4	23.7	19.0	17.9	19.8	16.8	15.9	184	
197	27.3	31.1	30.9	23.7	22.9	-	21.8	17.9	16.8	18.3	15.4	14.8	197	
210	-	25.2	29.2	22.3	21.6	-	20.1	17.0	15.9	16.8	14.3	13.7	210	
223	-	-	25.8	20.9	20.3	-	18.4	16.1	-	15.4	13.4	12.8	223	
236	-	-	19.4	19.8	18.5	-	16.8	15.4	-	14.1	12.6	-	236	
249	-	-	-	16.8	-	-	15.4	14.8	-	12.8	11.7	-	249	
263	-	-	-	-	-	-	14.6	13.4	-	12.0	10.8	-	263	
276	-	-	-	-	-	-	11.0	-	-	11.2	9.9	-	276	
289	-	-	-	-	-	-	-	-	-	9.0	-	-	289	

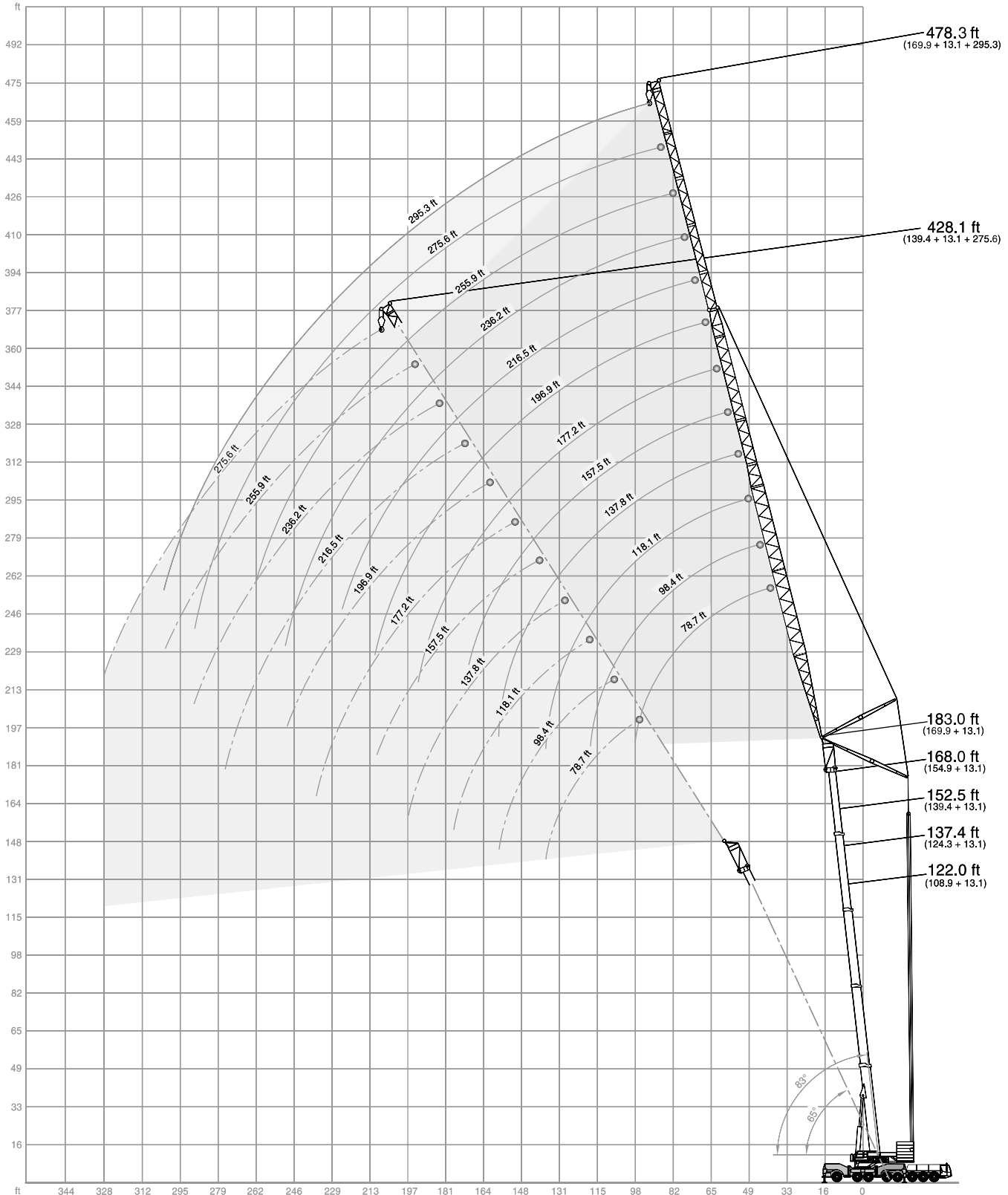
	145.7 ft			165.4 ft			185.0 ft			204.7 ft			
ft	1,000 lb									ft			
59	33.1	-	-	27.3	-	-	-	-	-	-	-	59	
66	47.2	-	-	27.1	-	-	22.7	-	-	-	-	66	
72	44.1	-	-	39.0	-	-	34.8	-	-	17.4	-	72	
79	41.2	-	-	36.6	-	-	32.6	-	-	28.9	-	79	
85	38.4	26.7	-	34.2	-	-	30.4	-	-	26.9	-	85	
92	36.0	25.8	-	32.1	24.0	-	28.5	-	-	25.2	-	92	
98	33.7	24.7	-	30.0	22.7	-	26.7	-	-	23.6	-	98	
105	31.7	23.6	20.1	28.1	21.6	-	25.0	19.2	-	22.0	-	105	
112	29.8	22.7	19.4	26.2	20.5	18.1	23.4	18.3	-	20.5	15.4	112	
118	28.2	21.8	18.7	24.8	19.6	17.2	22.0	17.4	-	19.2	14.8	118	
125	26.7	20.7	18.3	23.4	18.5	16.5	20.7	16.5	-	17.9	14.1	125	
131	25.4	19.8	17.6	22.0	17.6	15.9	19.5	15.7	13.9	16.8	13.4	131	
144	22.9	18.3	16.5	19.7	16.1	14.6	17.3	14.1	12.8	14.7	12.1	14.4	
158	20.8	16.8	15.4	17.9	14.6	13.2	15.4	12.6	11.7	12.9	10.8	10.1	158
171	19.0	15.2	14.3	16.2	13.2	12.1	13.9	11.2	10.6	11.5	9.5	9.0	171
184	17.4	14.1	13.4	14.7	11.9	11.2	12.6	9.9	9.5	10.1	8.2	7.7	184
197	16.1	13.0	12.6	13.2	10.8	10.4	11.4	8.8	8.4	9.0	6.8	6.6	197
210	14.8	12.1	11.7	12.1	9.9	9.5	10.3	7.7	7.3	8.0	5.3	5.5	210
223	13.6	11.2	11.0	11.0	9.0	8.8	9.1	6.6	6.4	7.2	-	-	223
236	12.3	10.6	10.4	10.1	8.2	8.2	8.2	5.7	5.3	6.4	-	-	236
249	11.4	9.9	-	9.0	7.3	7.5	7.5	4.9	4.4	5.6	-	-	249
263	10.3	9.3	-	8.3	6.6	7.1	6.6	-	-	4.9	-	-	263
276	9.3	8.8	-	7.5	5.7	-	6.0	-	-	-	-	-	276
289	8.6	8.2	-	6.6	5.1	-	5.2	-	-	-	-	-	289
302	8.0	-	-	5.7	-	-	-	-	-	-	-	-	302
315	4.6	-	-	4.9	-	-	-	-	-	-	-	-	315
328	-	-	-	-	-	-	-	-	-	-	-	-	328

Remarks: see page 20

Counterweight 176,400 lb 220,500 lb 264,600 lb 308,600 lb 352,700 lb 396,800 lb

WORKING RANGE

WORKING RANGES LUFFING FLY JIB, MAIN BOOM 83° TO 65° WITH / WITHOUT SSL



LOAD CHARTS

LIFTING CAPACITIES LUFFING FLY JIB, MAIN BOOM 83° TO 65°

360° 85 %

48.2 ft + 13.1 ft Main boom + adapter

		Fly jib																		
		78.7 ft			98.4 ft			118.1 ft			137.8 ft			157.5 ft			177.2 ft			
Radius		83°	73°	65°	83°	73°	65°	83°	73°	65°	83°	73°	65°	83°	73°	65°	83°	73°	65°	Radius
ft		1,000 lb																		ft
46		257.9	-	-	224.9	-	-	-	-	-	-	-	-	-	-	-	-	-	-	46
53		235.9	-	-	216.1	-	-	188.5	-	-	151.5	-	-	-	-	-	-	-	-	53
59		213.4	-	-	206.1	-	-	185.2	-	-	151.5	-	-	119.9	-	-	-	-	-	59
66		191.8	-	-	190.7	-	-	181.9	-	-	151.5	-	-	119.9	-	-	108.0	-	-	66
72		173.7	167.1	-	172.8	165.8	-	171.1	-	-	151.5	-	-	119.9	-	-	108.0	-	-	72
79		158.7	152.6	-	157.6	151.5	-	155.9	149.5	-	149.3	-	-	119.9	-	-	108.0	-	-	79
85		119.0	140.2	135.8	144.8	139.1	-	143.3	137.1	-	141.5	-	-	119.5	-	-	108.0	-	-	85
92		-	129.6	125.7	134.0	128.5	124.3	132.3	126.5	-	130.5	124.8	-	114.9	-	-	108.0	-	-	92
98		-	-	116.8	116.8	119.3	115.5	122.8	117.5	-	121.0	115.7	-	110.2	113.3	-	106.9	-	-	98
105		-	-	-	-	111.3	107.6	114.4	109.3	105.6	112.7	107.6	-	105.6	108.9	-	105.2	104.5	-	105
112		-	-	-	-	104.3	100.8	100.1	102.3	98.8	105.4	100.5	-	101.0	101.6	-	103.4	100.1	-	112
118		-	-	-	-	-	94.8	83.1	96.1	92.6	98.8	94.1	90.8	95.9	95.5	-	98.5	93.7	-	118
125		-	-	-	-	-	-	-	90.4	87.3	90.8	88.6	85.3	91.1	89.7	86.4	92.6	88.2	-	125
131		-	-	-	-	-	-	-	85.5	82.2	78.7	83.6	80.5	86.0	84.7	81.4	87.3	83.1	-	131
138		-	-	-	-	-	-	-	-	77.8	65.9	78.9	75.8	80.9	80.0	76.9	82.5	78.5	75.4	138
144		-	-	-	-	-	-	-	-	-	-	74.7	71.9	74.7	75.8	73.0	78.0	74.3	71.2	144
151		-	-	-	-	-	-	-	-	-	-	70.8	68.1	65.5	71.9	69.2	74.1	70.3	67.5	151
158		-	-	-	-	-	-	-	-	-	-	-	64.6	55.3	67.9	65.5	68.6	66.8	64.2	158
164		-	-	-	-	-	-	-	-	-	-	-	-	64.6	62.2	61.1	63.3	60.8	60.8	164
177		-	-	-	-	-	-	-	-	-	-	-	-	-	56.2	45.4	57.3	54.9	54.9	177
190		-	-	-	-	-	-	-	-	-	-	-	-	-	-	-	-	-	50.0	190

		196.9 ft			216.5 ft			236.2 ft			255.9 ft			275.6 ft			295.3 ft			
ft		1,000 lb																		ft
72		92.6	-	-	-	-	-	-	-	-	-	-	-	-	-	-	-	-	-	72
79		92.6	-	-	74.1	-	-	62.8	-	-	-	-	-	-	-	-	-	-	-	79
85		92.6	-	-	73.6	-	-	62.6	-	-	52.5	-	-	-	-	-	-	-	-	85
92		92.6	-	-	73.2	-	-	62.4	-	-	51.8	-	-	41.7	-	-	-	-	-	92
98		92.6	-	-	72.5	-	-	61.9	-	-	51.4	-	-	41.2	-	-	34.2	-	-	98
105		91.7	-	-	72.1	-	-	61.7	-	-	50.9	-	-	40.6	-	-	33.5	-	-	105
112		90.8	-	-	71.7	-	-	61.5	-	-	50.5	-	-	39.9	-	-	33.1	-	-	112
118		89.5	84.9	-	71.0	-	-	61.1	-	-	49.8	-	-	39.2	-	-	32.4	-	-	118
125		88.4	84.9	-	70.1	68.3	-	60.8	-	-	49.4	-	-	38.8	-	-	31.7	-	-	125
131		86.6	82.2	-	69.4	67.9	-	60.2	-	-	48.7	-	-	38.1	-	-	31.3	-	-	131
138		81.8	77.6	-	68.8	67.5	-	59.5	61.3	-	48.1	-	-	37.5	-	-	30.6	-	-	138
144		77.4	73.4	-	68.1	67.2	-	59.1	60.6	-	47.4	49.2	-	36.8	-	-	30.0	-	-	144
151		73.4	69.7	66.8	67.2	66.8	-	58.4	60.0	-	46.5	48.5	-	36.2	37.9	-	29.5	-	-	151
158		69.7	66.1	63.5	65.7	64.4	61.5	58.0	59.3	-	45.9	47.8	-	35.5	37.0	-	28.9	-	-	158
164		66.1	62.8	60.2	63.9	61.1	58.4	57.3	58.6	-	45.0	47.2	-	34.6	36.4	-	28.2	29.5	-	164
177		57.1	56.7	54.2	58.2	55.1	52.7	55.6	53.6	50.9	43.4	45.6	-	33.3	34.6	-	27.1	28.2	-	177
190		45.0	51.6	49.4	51.6	50.0	47.8	51.6	48.5	46.3	41.9	44.3	44.5	32.0	32.8	-	26.0	27.1	-	190
203		-	47.2	45.0	41.9	45.4	43.4	46.3	44.1	41.9	40.1	43.0	41.7	30.6	31.3	32.4	24.9	25.8	26.9	203
217		-	-	41.4	30.9	41.7	39.7	38.1	40.1	38.1	38.4	39.9	37.9	29.3	30.2	31.1	24.0	24.7	25.8	217
230		-	-	-	-	-	36.4	29.5	36.8	35.1	35.5	36.6	34.6	28.2	29.1	29.8	23.1	23.8	24.7	230
243		-	-	-	-	-	-	-	34.0	32.2	28.9	33.5	31.7	27.1	28.0	28.7	22.0	22.9	23.8	243
256		-	-	-	-	-	-	-	-	-	-	30.9	29.1	26.2	27.1	27.6	21.2	21.8	22.7	256
269		-	-	-	-	-	-	-	-	-	-	-	26.7	20.9	26.5	26.5	20.5	21.2	21.8	269
282		-	-	-	-	-	-	-	-	-	-	-	-	-	24.9	24.3	19.6	20.5	21.2	282
295		-	-	-	-	-	-	-	-	-	-	-	-	-	-	-	20.1	20.5	20.5	295
308		-	-	-	-	-	-	-	-	-	-	-	-	-	-	-	-	-	19.6	308
322		-	-	-	-	-	-	-	-	-	-	-	-	-	-	-	-	-	-	322

Remarks

Counterweight 132,300 lb 176,400 lb 220,500 lb 264,600 lb 308,600 lb 352,700 lb 396,800 lb

Max. capacities with minimum counterweight

Further counterweight configurations on request

LOAD CHARTS

LIFTING CAPACITIES LUFFING FLY JIB, MAIN BOOM 83° TO 65°

 360° 85 %

63.3 ft + 13.1 ft Main boom + adapter

		Fly jib																		
		78.7 ft			98.4 ft			118.1 ft			137.8 ft			157.5 ft			177.2 ft			
Radius		83°	73°	65°	83°	73°	65°	83°	73°	65°	83°	73°	65°	83°	73°	65°	83°	73°	65°	Radius
ft		1,000 lb																		ft
46		244.7	-	-	213.4	-	-	-	-	-	-	-	-	-	-	-	-	-	-	46
53		229.3	-	-	203.9	-	-	172.6	-	-	-	-	-	-	-	-	-	-	-	53
59		211.6	-	-	194.4	-	-	171.3	-	-	139.6	-	-	-	-	-	-	-	-	59
66		189.8	-	-	185.0	-	-	170.0	-	-	139.6	-	-	114.6	-	-	102.5	-	-	66
72		172.0	163.4	-	170.9	-	-	167.3	-	-	139.6	-	-	114.6	-	-	102.1	-	-	72
79		157.2	149.0	-	156.1	147.7	-	154.3	-	-	139.6	-	-	114.6	-	-	101.6	-	-	79
85		143.1	136.9	-	143.3	135.8	-	141.8	133.8	-	134.9	-	-	114.6	-	-	101.2	-	-	85
92		-	126.5	121.3	132.5	125.4	-	130.7	123.5	-	129.2	-	-	112.4	-	-	100.8	-	-	92
98		-	117.7	112.7	123.0	116.4	111.3	121.3	114.4	-	119.7	112.7	-	108.9	-	-	100.3	-	-	98
105		-	-	105.2	100.5	108.5	103.8	113.1	106.7	-	111.3	104.7	-	105.6	106.0	-	99.6	-	-	105
112		-	-	-	-	101.6	97.0	105.8	99.6	95.0	104.1	97.9	-	102.3	99.0	-	99.2	97.4	-	112
118		-	-	-	-	95.5	91.3	92.2	93.5	89.1	97.7	91.7	-	97.7	92.8	-	97.4	91.3	-	118
125		-	-	-	-	-	86.0	71.2	88.0	83.8	91.7	86.2	81.8	93.0	87.3	-	91.5	85.8	-	125
131		-	-	-	-	-	-	-	83.1	79.1	86.0	81.1	77.2	87.7	82.5	-	86.2	80.7	-	131
138		-	-	-	-	-	-	-	78.7	74.7	73.2	76.7	72.8	82.9	77.8	73.9	81.6	76.3	-	138
144		-	-	-	-	-	-	-	-	71.0	57.1	72.5	69.0	78.0	73.6	69.9	77.2	72.1	68.1	144
151		-	-	-	-	-	-	-	-	-	-	69.0	65.3	71.7	69.9	66.4	73.2	68.3	64.6	151
158		-	-	-	-	-	-	-	-	-	-	65.3	61.9	61.5	66.1	62.8	69.2	64.8	61.3	158
164		-	-	-	-	-	-	-	-	-	-	-	58.6	-	62.8	59.5	65.7	61.5	58.2	164
177		-	-	-	-	-	-	-	-	-	-	-	-	-	54.0	50.0	55.6	52.5	-	177
190		-	-	-	-	-	-	-	-	-	-	-	-	-	-	-	50.5	47.8	-	190
203		-	-	-	-	-	-	-	-	-	-	-	-	-	-	-	-	43.7	-	203
217		-	-	-	-	-	-	-	-	-	-	-	-	-	-	-	-	-	-	217

		196.9 ft			216.5 ft			236.2 ft			255.9 ft			275.6 ft			295.3 ft			
ft		1,000 lb																		ft
72		86.6	-	-	-	-	-	-	-	-	-	-	-	-	-	-	-	-	-	72
79		86.4	-	-	69.0	-	-	-	-	-	-	-	-	-	-	-	-	-	-	79
85		86.2	-	-	68.6	-	-	60.8	-	-	-	-	-	-	-	-	-	-	-	85
92		85.8	-	-	68.1	-	-	60.6	-	-	47.8	-	-	-	-	-	-	-	-	92
98		85.5	-	-	67.7	-	-	60.4	-	-	47.8	-	-	39.0	-	-	-	-	-	98
105		85.1	-	-	67.0	-	-	60.2	-	-	47.6	-	-	38.6	-	-	31.7	-	-	105
112		84.7	-	-	66.6	-	-	60.0	-	-	47.4	-	-	38.1	-	-	31.3	-	-	112
118		84.0	-	-	66.1	-	-	59.5	-	-	47.4	-	-	37.7	-	-	30.9	-	-	118
125		83.3	80.0	-	65.9	-	-	59.3	-	-	47.2	-	-	37.0	-	-	30.4	-	-	125
131		82.7	80.0	-	65.5	65.5	-	58.9	-	-	46.7	-	-	36.6	-	-	29.8	-	-	131
138		80.9	75.4	-	65.0	64.8	-	58.4	60.2	-	46.5	-	-	36.2	-	-	29.3	-	-	138
144		76.5	71.4	-	64.6	64.2	-	57.8	59.5	-	45.9	-	-	35.5	-	-	28.9	-	-	144
151		72.5	67.7	-	64.2	63.7	-	57.3	59.1	-	45.4	47.0	-	35.1	-	-	28.4	-	-	151
158		68.8	64.2	60.6	63.3	62.4	-	56.9	58.6	-	44.8	46.3	-	34.4	35.7	-	27.8	-	-	158
164		65.3	60.8	57.5	62.4	59.1	-	56.4	57.3	-	44.3	45.9	-	33.7	35.1	-	27.3	28.4	-	164
177		58.9	54.9	52.0	57.5	53.6	50.3	55.3	51.8	-	43.2	45.0	-	32.6	34.0	-	26.5	27.3	-	177
190		48.9	49.8	47.2	52.0	48.3	45.6	50.7	47.0	43.9	41.7	44.1	43.2	31.5	32.8	-	25.6	26.5	-	190
203		-	45.6	43.0	45.2	44.1	41.4	46.1	42.5	39.7	40.1	42.3	39.5	30.4	31.5	32.8	24.5	25.4	-	203
217		-	-	39.5	34.4	40.3	37.7	41.0	38.8	36.2	38.4	38.6	35.7	29.3	30.4	31.5	23.6	24.3	25.4	217
230		-	-	-	-	37.0	34.6	32.4	35.5	33.1	36.4	35.3	32.6	28.2	29.3	30.2	22.7	23.6	24.3	230
243		-	-	-	-	-	32.0	-	32.6	30.2	31.5	32.2	29.8	27.1	28.2	29.1	21.8	22.7	23.4	243
256		-	-	-	-	-	-	-	27.6	23.4	29.8	27.1	26.5	27.3	26.9	20.9	22.0	22.5	-	256
269		-	-	-	-	-	-	-	-	-	27.3	24.9	23.4	26.5	24.5	20.3	21.2	21.8	-	269
282		-	-	-	-	-	-	-	-	-	-	22.7	-	24.7	22.5	19.6	20.7	21.2	-	282
295		-	-	-	-	-	-	-	-	-	-	-	-	-	20.5	15.9	20.3	19.6	-	295
308		-	-	-	-	-	-	-	-	-	-	-	-	-	-	-	19.8	18.1	-	308
322		-	-	-	-	-	-	-	-	-	-	-	-	-	-	-	-	-	-	322

Remarks

Counterweight 132,300 lb 176,400 lb 220,500 lb 264,600 lb 308,600 lb 352,700 lb 396,800 lb

Max. capacities with minimum counterweight

Further counterweight configurations on request

LOAD CHARTS

LIFTING CAPACITIES LUFFING FLY JIB, MAIN BOOM 83° TO 65°

360° 85 %

93.8 ft + 13.1 ft Main boom + adapter

		Fly jib																		
		78.7 ft			98.4 ft			118.1 ft			137.8 ft			157.5 ft			177.2 ft			
Radius		83°	73°	65°	83°	73°	65°	83°	73°	65°	83°	73°	65°	83°	73°	65°	83°	73°	65°	Radius
ft		1,000 lb																		ft
53		188.7	-	-	166.0	-	-	-	-	-	-	-	-	-	-	-	-	-	-	53
59		178.1	-	-	160.1	-	-	139.3	-	-	-	-	-	-	-	-	-	-	-	59
66		168.4	-	-	154.1	-	-	137.1	-	-	115.5	-	-	98.3	-	-	-	-	-	66
72		159.0	-	-	147.7	-	-	134.7	-	-	114.9	-	-	98.1	-	-	86.6	-	-	72
79		151.2	-	-	141.3	-	-	131.8	-	-	114.2	-	-	97.9	-	-	86.0	-	-	79
85		142.0	124.3	-	134.9	-	-	127.0	-	-	113.3	-	-	97.7	-	-	85.5	-	-	85
92		-	116.0	-	130.1	114.0	-	122.4	-	-	110.2	-	-	97.4	-	-	84.9	-	-	92
98		-	109.3	-	121.0	106.9	-	117.7	101.9	-	106.9	-	-	96.3	-	-	84.2	-	-	98
105		-	105.2	95.5	112.9	101.4	-	111.1	96.6	-	103.8	93.7	-	94.8	-	-	83.8	-	-	105
112		-	-	89.7	-	95.9	88.6	103.8	91.5	-	100.5	89.3	-	93.0	-	-	83.1	-	-	112
118		-	-	85.5	-	91.5	83.8	97.4	87.5	-	95.7	84.9	-	91.5	84.7	-	82.7	-	-	118
125		-	-	-	-	86.2	78.9	87.7	83.8	75.4	89.9	80.5	-	89.7	81.1	-	82.0	76.9	-	125
131		-	-	-	-	-	75.6	-	79.4	71.9	84.9	77.2	-	86.2	77.4	-	81.4	73.9	-	131
138		-	-	-	-	-	72.1	-	75.2	68.3	80.2	73.2	67.0	81.4	73.9	-	79.8	71.0	-	138
144		-	-	-	-	-	-	-	71.2	65.7	70.1	69.2	63.9	77.2	70.3	-	75.6	67.9	-	144
151		-	-	-	-	-	-	-	-	62.8	-	65.7	60.6	73.0	66.8	61.9	71.7	64.8	-	151
158		-	-	-	-	-	-	-	-	59.5	-	62.2	57.8	69.2	63.3	58.9	67.9	61.7	-	158
164		-	-	-	-	-	-	-	-	-	-	59.1	54.7	59.3	60.0	55.8	64.4	58.6	54.0	164
177		-	-	-	-	-	-	-	-	-	-	-	49.4	-	54.2	50.3	58.2	52.9	48.7	177
190		-	-	-	-	-	-	-	-	-	-	-	-	-	45.6	-	52.9	48.1	44.3	190
203		-	-	-	-	-	-	-	-	-	-	-	-	-	-	-	43.9	40.3	-	203
217		-	-	-	-	-	-	-	-	-	-	-	-	-	-	-	-	37.0	-	217
230		-	-	-	-	-	-	-	-	-	-	-	-	-	-	-	-	-	-	230

		196.9 ft			216.5 ft			236.2 ft			255.9 ft			275.6 ft			295.3 ft			
ft		1,000 lb																		ft
79		75.4	-	-	-	-	-	-	-	-	-	-	-	-	-	-	-	-	-	79
85		74.7	-	-	58.6	-	-	-	-	-	-	-	-	-	-	-	-	-	-	85
92		74.3	-	-	58.4	-	-	51.6	-	-	-	-	-	-	-	-	-	-	-	92
98		73.9	-	-	58.2	-	-	51.4	-	-	41.7	-	-	-	-	-	-	-	-	98
105		73.2	-	-	58.0	-	-	51.1	-	-	41.7	-	-	34.2	-	-	28.0	-	-	105
112		72.8	-	-	57.8	-	-	50.9	-	-	41.4	-	-	34.0	-	-	27.8	-	-	112
118		72.1	-	-	57.5	-	-	50.7	-	-	41.4	-	-	33.7	-	-	27.6	-	-	118
125		71.7	-	-	57.1	-	-	50.5	-	-	41.4	-	-	33.3	-	-	27.3	-	-	125
131		71.0	-	-	56.9	-	-	50.0	-	-	41.2	-	-	33.1	-	-	27.1	-	-	131
138		70.5	66.6	-	56.7	-	-	49.8	-	-	41.2	-	-	32.8	-	-	26.9	-	-	138
144		69.9	64.4	-	56.4	54.0	-	49.6	-	-	41.0	-	-	32.6	-	-	26.7	-	-	144
151		69.2	62.4	-	56.2	53.1	-	49.4	49.2	-	40.8	-	-	32.2	-	-	26.5	-	-	151
158		67.5	60.2	-	56.0	52.2	-	49.2	48.3	-	40.6	-	-	32.0	-	-	26.2	-	-	158
164		63.9	58.0	-	55.8	51.1	-	48.9	47.4	-	40.3	40.6	-	31.7	-	-	25.8	-	-	164
177		57.8	52.2	48.1	55.3	49.4	-	48.3	45.4	-	39.7	40.1	-	31.1	32.0	-	25.1	-	-	177
190		52.5	47.4	43.7	50.9	45.9	41.9	48.1	43.7	-	39.2	39.5	-	30.6	31.5	-	24.5	25.6	-	190
203		41.7	43.2	39.7	46.5	41.7	37.9	45.2	40.1	35.9	38.4	39.0	-	30.0	31.1	-	23.8	24.7	-	203
217		-	39.7	36.4	40.8	38.1	34.6	41.2	36.6	32.6	37.5	36.2	32.2	29.1	30.4	-	23.1	23.8	-	217
230		-	-	33.3	-	34.8	31.3	37.7	33.3	29.5	36.6	33.1	29.1	28.0	29.8	28.9	22.5	23.1	-	230
243		-	-	-	-	32.2	28.7	27.6	30.4	26.9	34.4	30.0	26.5	27.1	28.7	26.0	21.8	22.5	23.8	243
256		-	-	-	-	-	26.2	-	28.0	24.5	27.6	27.3	24.0	26.5	27.1	23.6	21.2	21.8	22.7	256
269		-	-	-	-	-	-	-	-	22.3	-	25.1	21.8	25.8	24.9	21.4	20.5	21.4	20.5	269
282		-	-	-	-	-	-	-	-	-	-	22.9	19.8	19.2	22.7	19.4	19.8	20.7	18.5	282
295		-	-	-	-	-	-	-	-	-	-	-	18.1	-	20.7	17.6	19.2	20.1	16.8	295
308		-	-	-	-	-	-	-	-	-	-	-	-	-	-	16.1	-	18.3	15.2	308
322		-	-	-	-	-	-	-	-	-	-	-	-	-	-	-	-	16.8	13.9	322
335		-	-	-	-	-	-	-	-	-	-	-	-	-	-	-	-	-	12.6	335

Remarks

Counterweight 132,300 lb 176,400 lb 220,500 lb 264,600 lb 308,600 lb 352,700 lb 396,800 lb

Max. capacities with minimum counterweight

Further counterweight configurations on request

LOAD CHARTS

LIFTING CAPACITIES LUFFING FLY JIB WITH SSL, MAIN BOOM

83° – 65°



85 %

108.9 ft + 13.1 ft Main boom + adapter

		Fly jib															
		98.4 ft			118.1 ft			137.8 ft			157.5 ft			177.2 ft			
Radius		83°	73°	65°	83°	73°	65°	83°	73°	65°	83°	73°	65°	83°	73°	65°	Radius
ft		1,000 lb															ft
53		198.4	-	-	-	-	-	-	-	-	-	-	-	-	-	-	53
59		195.6	-	-	170.0	-	-	-	-	-	-	-	-	-	-	-	59
66		181.9	-	-	179.2	-	-	143.5	-	-	-	-	-	-	-	-	66
72		164.5	-	-	162.7	-	-	161.2	-	-	136.2	-	-	-	-	-	72
79		150.1	-	-	148.4	-	-	146.6	-	-	131.2	-	-	-	-	118.2	79
85		137.8	-	-	136.0	-	-	134.5	-	-	126.1	-	-	-	-	116.4	85
92		127.2	113.8	-	125.4	-	-	123.9	-	-	121.0	-	-	-	-	114.6	92
98		118.2	105.6	-	116.4	-	-	114.6	-	-	116.0	-	-	-	-	112.7	98
105		110.2	98.3	-	108.5	96.3	-	106.7	-	-	108.2	-	-	-	-	106.5	105
112		99.4	91.9	-	101.4	89.9	-	99.6	88.0	-	101.2	-	-	-	-	99.4	112
118		-	86.2	78.0	95.0	84.2	-	93.3	82.2	-	94.8	-	-	-	-	93.3	118
125		-	81.1	73.4	89.5	79.1	-	87.7	77.2	-	89.1	78.5	-	-	-	87.5	125
131		-	76.7	69.2	70.1	74.5	67.0	82.7	72.8	-	84.0	73.9	-	-	-	82.5	131
138		-	-	65.5	-	70.3	63.3	78.0	68.6	-	79.4	69.7	-	-	-	77.8	138
144		-	-	61.9	-	66.8	59.7	74.1	64.8	57.8	75.2	65.9	-	-	-	73.6	144
151		-	-	-	-	63.5	56.7	56.4	61.3	54.7	71.4	62.6	-	-	-	69.9	151
158		-	-	-	-	-	53.8	-	58.2	51.8	67.9	59.5	52.9	-	-	66.4	158
164		-	-	-	-	-	51.4	-	55.3	49.2	62.8	56.4	50.3	-	-	63.3	164
177		-	-	-	-	-	-	-	-	44.5	-	51.4	45.6	-	-	57.5	177
190		-	-	-	-	-	-	-	-	-	-	47.2	41.7	-	-	39.7	190
203		-	-	-	-	-	-	-	-	-	-	-	38.1	-	-	41.7	203
217		-	-	-	-	-	-	-	-	-	-	-	-	-	-	33.3	217
230		-	-	-	-	-	-	-	-	-	-	-	-	-	-	-	230

		196.9 ft		216.5 ft		236.2 ft		255.9 ft		275.6 ft		295.3 ft		
ft		1,000 lb												ft
85		91.1	-	-	68.8	-	-	-	-	-	-	-	-	85
92		89.1	-	-	73.9	-	-	56.7	-	-	-	-	-	92
98		87.3	-	-	71.9	-	-	61.3	-	-	48.7	-	-	98
105		85.5	-	-	69.9	-	-	60.4	-	-	48.1	-	-	105
112		83.6	-	-	68.1	-	-	59.7	-	-	47.4	-	-	112
118		81.8	-	-	66.1	-	-	58.9	-	-	46.5	-	-	118
125		79.8	-	-	64.2	-	-	58.2	-	-	45.9	-	-	125
131		78.0	-	-	62.6	-	-	57.3	-	-	45.2	-	-	131
138		76.3	67.2	-	61.3	-	-	56.4	-	-	44.5	-	-	138
144		73.0	63.5	-	60.0	-	-	55.3	-	-	43.9	-	-	144
151		69.2	60.0	-	58.6	56.2	-	54.5	-	-	43.0	-	-	151
158		65.7	56.9	-	57.1	55.1	-	53.4	45.0	-	42.1	-	-	158
164		62.4	54.0	-	55.8	52.2	-	52.2	44.5	-	41.0	35.9	-	164
177		56.7	48.9	43.0	54.0	47.0	-	50.0	43.7	-	39.2	35.5	-	177
190		51.8	44.5	38.8	50.0	42.5	37.0	48.3	40.8	-	37.7	34.8	-	190
203		44.1	40.8	35.5	45.9	38.8	33.5	44.1	36.8	31.5	37.0	34.4	-	203
217		-	37.5	32.4	41.9	35.5	30.4	40.3	33.5	28.4	36.4	33.3	28.0	217
230		-	34.6	29.8	27.1	32.6	27.8	37.0	30.6	25.8	35.7	30.2	25.4	230
243		-	-	27.6	-	30.0	25.4	29.1	28.0	23.4	33.7	27.6	22.9	243
256		-	-	-	-	23.4	-	25.8	21.4	17.6	29.3	25.1	20.7	256
269		-	-	-	-	-	-	23.8	19.4	-	23.1	19.0	15.7	269
282		-	-	-	-	-	-	-	-	-	21.2	17.2	12.3	282
295		-	-	-	-	-	-	-	-	-	-	15.2	11.5	295
308		-	-	-	-	-	-	-	-	-	-	-	13.7	308
322		-	-	-	-	-	-	-	-	-	-	-	-	322
335		-	-	-	-	-	-	-	-	-	-	-	-	335
348		-	-	-	-	-	-	-	-	-	-	-	-	348

Remarks

Counterweight 176,400 lb 220,500 lb 264,600 lb 308,600 lb 352,700 lb 396,800 lb

Max. capacities with minimum counterweight
 Further counterweight configurations on request

LOAD CHARTS

LIFTING CAPACITIES LUFFING FLY JIB WITH SSL, MAIN BOOM 83° - 65°

360° 85 %

124.3 ft + 13.1 ft Main boom + adapter

		Fly jib															
		98.4 ft			118.1 ft			137.8 ft			157.5 ft			177.2 ft			
Radius		83°	73°	65°	83°	73°	65°	83°	73°	65°	83°	73°	65°	83°	73°	65°	Radius
ft		1,000 lb															ft
59		181.7	-	-	-	-	-	-	-	-	-	-	-	-	-	-	59
66		170.6	-	-	166.9	-	-	-	-	-	-	-	-	-	-	-	66
72		160.5	-	-	157.2	-	-	150.4	-	-	-	-	-	-	-	-	72
79		148.8	-	-	147.0	-	-	142.4	-	-	130.5	-	-	95.9	-	-	79
85		136.7	-	-	134.9	-	-	133.4	-	-	125.9	-	-	108.2	-	-	85
92		126.1	-	-	124.6	-	-	122.8	-	-	121.3	-	-	106.7	-	-	92
98		117.1	103.4	-	115.3	-	-	113.8	-	-	115.3	-	-	104.9	-	-	98
105		109.1	96.1	-	107.4	-	-	105.8	-	-	107.4	-	-	103.4	-	-	105
112		102.3	89.9	-	100.3	88.0	-	98.8	-	-	100.3	-	-	98.5	-	-	112
118		-	84.2	-	94.1	82.2	-	92.4	80.5	-	93.9	-	-	92.4	-	-	118
125		-	79.4	-	88.6	77.4	-	86.9	75.4	-	88.4	-	-	86.6	-	-	125
131		-	74.7	66.8	79.4	72.8	-	81.8	71.0	-	83.3	72.1	-	81.6	-	-	131
138		-	71.0	63.1	-	68.8	60.8	77.4	66.8	-	78.7	68.1	-	77.2	66.4	-	138
144		-	-	59.7	-	65.0	57.5	73.2	63.1	-	74.5	64.4	-	73.0	62.6	-	144
151		-	-	56.7	-	61.7	54.5	64.4	59.7	52.5	70.8	61.1	-	69.2	59.3	-	151
158		-	-	-	-	58.9	51.8	-	56.7	49.8	67.2	58.0	-	65.7	56.2	-	158
164		-	-	-	-	-	49.2	-	54.0	47.2	64.2	55.1	48.3	62.6	53.4	-	164
177		-	-	-	-	-	-	-	49.2	42.8	-	50.0	43.7	56.9	48.3	41.9	177
190		-	-	-	-	-	-	-	-	38.8	-	45.9	39.9	44.8	44.1	37.9	190
203		-	-	-	-	-	-	-	-	-	-	-	36.6	-	40.3	34.6	203
217		-	-	-	-	-	-	-	-	-	-	-	-	-	37.3	31.7	217
230		-	-	-	-	-	-	-	-	-	-	-	-	-	-	29.1	230
243		-	-	-	-	-	-	-	-	-	-	-	-	-	-	-	243

		196.9 ft			216.5 ft			236.2 ft			255.9 ft			275.6 ft			295.3 ft			
ft		1,000 lb															ft			
85		85.5	-	-	-	-	-	-	-	-	-	-	-	-	-	-	-	85		
92		84.2	-	-	70.3	-	-	-	-	-	-	-	-	-	-	-	-	92		
98		82.7	-	-	69.0	-	-	57.5	-	-	-	-	-	-	-	-	-	98		
105		81.4	-	-	67.5	-	-	57.3	-	-	46.5	-	-	34.6	-	-	-	105		
112		79.8	-	-	66.1	-	-	56.9	-	-	45.9	-	-	37.0	-	-	26.9	112		
118		78.5	-	-	64.8	-	-	56.7	-	-	45.4	-	-	36.6	-	-	30.0	118		
125		76.9	-	-	63.3	-	-	56.2	-	-	45.0	-	-	36.4	-	-	29.5	125		
131		75.6	-	-	61.9	-	-	55.8	-	-	44.3	-	-	35.9	-	-	29.3	131		
138		74.1	-	-	60.6	-	-	55.6	-	-	43.9	-	-	35.5	-	-	28.9	138		
144		72.3	61.7	-	59.3	-	-	54.7	-	-	43.2	-	-	35.1	-	-	28.7	144		
151		68.3	58.4	-	58.0	-	-	53.6	-	-	42.5	-	-	34.8	-	-	28.2	151		
158		65.0	55.3	-	56.9	49.8	-	52.7	-	-	41.7	-	-	34.2	-	-	27.8	158		
164		61.7	52.5	-	55.6	49.2	-	51.6	40.1	-	40.8	-	-	33.5	-	-	27.6	164		
177		56.2	47.4	-	53.6	45.6	-	49.6	39.5	-	39.0	33.1	-	32.0	-	-	26.2	177		
190		51.4	43.2	37.0	49.4	41.2	-	47.6	38.8	-	37.3	32.8	-	30.4	28.2	-	24.9	190		
203		47.2	39.5	33.7	45.2	37.5	31.7	43.4	35.7	-	35.9	32.6	-	28.9	27.6	-	23.8	203		
217		-	36.2	30.9	41.4	34.4	28.9	39.7	32.4	26.7	34.8	32.0	-	27.8	26.9	-	22.5	217		
230		-	33.5	28.2	30.9	31.3	26.2	36.4	29.5	24.3	33.7	29.1	23.8	26.7	26.2	-	21.6	230		
243		-	-	25.8	-	28.9	23.8	32.0	26.9	21.8	33.1	26.5	21.4	25.8	25.6	20.9	20.7	20.3	243	
256		-	-	-	-	26.7	21.8	-	24.7	19.8	30.6	24.3	19.4	25.1	23.8	19.0	19.8	19.6	256	
269		-	-	-	-	-	20.1	-	22.7	17.9	20.9	22.0	17.4	24.7	21.8	17.0	19.2	19.2	269	
282		-	-	-	-	-	-	-	-	16.3	-	20.3	15.9	22.7	19.8	15.4	18.7	18.5	282	
295		-	-	-	-	-	-	-	-	-	-	18.5	14.3	-	18.3	13.9	18.5	17.2	295	
308		-	-	-	-	-	-	-	-	-	-	-	12.8	-	16.8	12.3	14.1	15.7	308	
322		-	-	-	-	-	-	-	-	-	-	-	-	-	-	11.2	-	14.3	322	
335		-	-	-	-	-	-	-	-	-	-	-	-	-	-	-	-	-	335	
348		-	-	-	-	-	-	-	-	-	-	-	-	-	-	-	-	-	348	

Remarks

Counterweight 176,400 lb 220,500 lb 264,600 lb 308,600 lb 352,700 lb 396,800 lb

Max. capacities with minimum counterweight

Further counterweight configurations on request

LOAD CHARTS

LIFTING CAPACITIES LUFFING FLY JIB WITH SSL, MAIN BOOM

83° – 65°



85 %

139.4 ft + 13.1 ft Main boom + adapter

		Fly jib															
		98.4 ft			118.1 ft			137.8 ft			157.5 ft			177.2 ft			
Radius		83°	73°	65°	83°	73°	65°	83°	73°	65°	83°	73°	65°	83°	73°	65°	Radius
ft		1,000 lb															ft
59		153.4	-	-	-	-	-	-	-	-	-	-	-	-	-	-	59
66		164.2	-	-	131.4	-	-	-	-	-	-	-	-	-	-	-	66
72		154.3	-	-	147.5	-	-	111.3	-	-	-	-	-	-	-	-	72
79		144.2	-	-	138.9	-	-	130.5	-	-	97.0	-	-	-	-	-	79
85		135.6	-	-	130.3	-	-	124.3	-	-	117.3	-	-	98.3	-	-	85
92		125.2	-	-	122.8	-	-	117.9	-	-	112.7	-	-	96.3	-	-	92
98		116.2	-	-	114.4	-	-	111.8	-	-	108.0	-	-	94.4	-	-	98
105		108.2	94.1	-	106.5	-	-	104.9	-	-	103.4	-	-	92.4	-	-	105
112		101.2	88.0	-	99.4	-	-	97.9	-	-	99.0	-	-	90.4	-	-	112
118		-	82.5	-	93.3	80.5	-	91.7	-	-	93.0	-	-	88.0	-	-	118
125		-	77.6	-	87.7	75.6	-	86.0	73.6	-	87.5	-	-	85.5	-	-	125
131		-	73.2	-	82.9	71.0	-	81.1	69.2	-	82.5	70.5	-	80.9	-	-	131
138		-	69.2	60.8	-	67.0	-	76.5	65.3	-	78.0	66.6	-	76.3	-	-	138
144		-	-	57.5	-	63.5	-	72.5	61.5	-	73.9	62.8	-	72.3	61.1	-	144
151		-	-	54.7	-	60.2	52.5	68.8	58.2	-	70.1	59.5	-	68.6	57.8	-	151
158		-	-	52.0	-	57.3	49.8	-	55.3	47.6	66.6	56.4	-	65.0	54.7	-	158
164		-	-	-	-	-	47.2	-	52.5	45.2	63.5	53.8	-	61.9	51.8	-	164
177		-	-	-	-	-	43.0	-	47.6	40.8	-	48.7	41.9	56.2	47.0	-	177
190		-	-	-	-	-	-	-	-	37.0	-	44.5	38.1	48.5	42.8	36.2	190
203		-	-	-	-	-	-	-	-	-	-	-	34.8	-	39.0	32.8	203
217		-	-	-	-	-	-	-	-	-	-	-	32.0	-	35.9	30.0	217
230		-	-	-	-	-	-	-	-	-	-	-	-	-	-	27.6	230
243		-	-	-	-	-	-	-	-	-	-	-	-	-	-	-	243

		196.9 ft		216.5 ft		236.2 ft		255.9 ft		275.6 ft		295.3 ft		
ft		1,000 lb												ft
92		80.0	-	-	54.9	-	-	-	-	-	-	-	-	92
98		78.7	-	-	63.9	-	-	46.5	-	-	-	-	-	98
105		77.4	-	-	63.1	-	-	55.8	-	-	38.4	-	-	105
112		76.1	-	-	61.9	-	-	55.3	-	-	43.7	-	-	112
118		74.5	-	-	61.1	-	-	54.9	-	-	43.4	-	-	118
125		73.2	-	-	60.2	-	-	54.5	-	-	43.0	-	-	125
131		71.9	-	-	59.1	-	-	54.2	-	-	42.8	-	-	131
138		70.3	-	-	58.2	-	-	53.8	-	-	42.3	-	-	138
144		69.0	-	-	57.3	-	-	53.1	-	-	42.1	-	-	144
151		67.7	54.7	-	56.4	-	-	52.5	-	-	41.7	-	-	151
158		64.4	53.6	-	55.3	43.2	-	51.6	-	-	41.0	-	-	158
164		61.1	51.1	-	54.5	42.8	-	50.7	-	-	40.3	-	-	164
177		55.6	46.1	-	52.7	41.4	-	48.9	35.5	-	38.6	30.6	-	177
190		50.7	41.9	-	48.9	40.1	-	47.2	34.8	-	37.0	30.2	-	190
203		46.5	38.4	32.0	44.8	36.4	-	43.0	34.2	-	35.5	30.0	-	203
217		-	35.1	29.1	41.0	33.1	27.1	39.2	31.3	25.1	34.6	29.5	-	217
230		-	32.4	26.7	34.6	30.4	24.7	35.9	28.4	22.7	33.5	28.0	22.3	230
243		-	-	24.5	-	27.8	22.5	33.1	25.8	20.3	32.4	25.6	20.1	243
256		-	-	22.5	-	25.6	20.3	-	23.6	18.3	30.2	23.1	17.9	256
269		-	-	-	-	18.5	-	21.6	16.5	13.7	23.1	21.2	16.1	269
282		-	-	-	-	-	-	-	15.0	-	19.4	14.6	11.7	282
295		-	-	-	-	-	-	-	-	-	17.6	13.0	-	295
308		-	-	-	-	-	-	-	-	-	-	11.7	-	308
322		-	-	-	-	-	-	-	-	-	-	-	9.9	322
335		-	-	-	-	-	-	-	-	-	-	-	8.8	335
348		-	-	-	-	-	-	-	-	-	-	-	-	348
361		-	-	-	-	-	-	-	-	-	-	-	-	361

Remarks

Counterweight 176,400 lb 220,500 lb 264,600 lb 308,600 lb 352,700 lb 396,800 lb

Max. capacities with minimum counterweight

Further counterweight configurations on request

LOAD CHARTS

LIFTING CAPACITIES LUFFING FLY JIB WITH SSL, MAIN BOOM 83° – 65°

 360° 85 %

154.9 ft + 13.1 ft Main boom + adapter

		Fly jib															
		98.4 ft			118.1 ft			137.8 ft			157.5 ft			177.2 ft			Radius
Radius		83°	73°	65°	83°	73°	65°	83°	73°	65°	83°	73°	65°	83°	73°	65°	Radius
ft		1,000 lb															ft
66		138.0	-	-	-	-	-	-	-	-	-	-	-	-	-	-	66
72		127.9	-	-	121.5	-	-	-	-	-	-	-	-	-	-	-	72
79		121.9	-	-	113.8	-	-	110.2	-	-	84.7	-	-	-	-	-	79
85		117.9	-	-	106.0	-	-	103.6	-	-	101.2	-	-	71.9	-	-	85
92		114.0	-	-	100.8	-	-	97.0	-	-	95.9	-	-	87.3	-	-	92
98		109.8	-	-	97.7	-	-	90.4	-	-	90.6	-	-	83.8	-	-	98
105		104.5	-	-	94.6	-	-	85.8	-	-	85.5	-	-	80.2	-	-	105
112		99.4	86.2	-	91.7	-	-	81.4	-	-	80.5	-	-	76.9	-	-	112
118		94.1	80.7	-	88.8	78.0	-	79.1	-	-	77.2	-	-	73.6	-	-	118
125		-	75.8	-	86.0	73.9	-	76.9	-	-	73.6	-	-	70.3	-	-	125
131		-	71.4	-	82.0	69.4	-	75.2	67.5	-	70.1	-	-	67.2	-	-	131
138		-	67.7	-	66.8	65.5	-	73.4	63.7	-	67.7	63.5	-	64.4	-	-	138
144		-	64.2	55.6	-	61.9	-	71.2	60.0	-	66.4	61.3	-	61.5	-	-	144
151		-	-	52.7	-	58.6	-	68.1	56.9	-	65.0	58.2	-	58.4	53.1	-	151
158		-	-	50.0	-	55.8	47.8	54.5	53.8	-	63.7	55.1	-	56.9	51.8	-	158
164		-	-	47.6	-	53.1	45.4	-	51.1	-	62.4	52.5	-	55.3	50.5	-	164
177		-	-	-	-	41.0	-	-	46.3	39.0	46.1	47.6	40.1	53.1	45.6	-	177
190		-	-	-	-	-	-	-	-	35.3	-	43.4	36.4	50.9	41.4	34.4	190
203		-	-	-	-	-	-	-	-	32.2	-	39.9	33.3	-	37.9	31.3	203
217		-	-	-	-	-	-	-	-	-	-	-	30.4	-	34.8	28.4	217
230		-	-	-	-	-	-	-	-	-	-	-	-	-	-	26.0	230
243		-	-	-	-	-	-	-	-	-	-	-	-	-	-	23.8	243
256		-	-	-	-	-	-	-	-	-	-	-	-	-	-	-	256

		196.9 ft		216.5 ft		236.2 ft		255.9 ft		275.6 ft		295.3 ft		
ft		1,000 lb												ft
92		58.2	-	-	-	-	-	-	-	-	-	-	-	92
98		69.2	-	-	48.7	-	-	-	-	-	-	-	-	98
105		67.5	-	-	59.1	-	-	48.3	-	-	-	-	-	105
112		65.7	-	-	57.8	-	-	47.6	-	-	40.1	-	-	112
118		63.9	-	-	56.4	-	-	47.2	-	-	39.9	-	-	118
125		62.2	-	-	55.1	-	-	46.5	-	-	39.7	-	-	125
131		60.6	-	-	53.8	-	-	46.1	-	-	39.5	-	-	131
138		58.9	-	-	52.5	-	-	45.4	-	-	39.2	-	-	138
144		57.1	-	-	51.1	-	-	44.8	-	-	39.0	-	-	144
151		55.3	-	-	50.0	-	-	44.1	-	-	38.8	-	-	151
158		53.8	45.0	-	48.7	-	-	43.2	-	-	38.4	-	-	158
164		52.0	44.1	-	47.6	37.5	-	42.3	-	-	37.9	-	-	164
177		49.4	42.5	-	45.2	36.6	-	40.6	31.1	-	36.8	-	-	177
190		46.7	40.8	-	43.0	35.7	-	38.6	30.4	-	35.5	24.7	-	190
203		44.5	37.0	30.4	40.8	34.8	-	36.8	29.5	-	34.4	24.3	-	203
217		32.6	34.0	27.6	38.6	32.0	25.6	34.8	28.9	-	32.8	24.0	-	217
230		-	31.3	25.1	36.2	29.3	23.1	33.1	27.3	21.2	31.3	23.6	-	230
243		-	28.9	22.9	-	26.7	20.9	32.2	24.9	19.0	29.5	23.1	18.3	243
256		-	-	20.9	-	24.7	19.0	20.9	22.7	17.0	28.7	22.3	16.5	256
269		-	-	-	-	17.2	-	20.7	15.2	12.3	25.1	20.3	14.8	269
282		-	-	-	-	15.7	-	19.0	13.7	-	18.5	13.2	12.8	282
295		-	-	-	-	-	-	-	-	-	16.8	11.7	11.2	295
308		-	-	-	-	-	-	-	-	-	-	10.4	9.9	308
322		-	-	-	-	-	-	-	-	-	-	9.3	8.8	322
335		-	-	-	-	-	-	-	-	-	-	-	7.7	335
348		-	-	-	-	-	-	-	-	-	-	-	-	348
361		-	-	-	-	-	-	-	-	-	-	-	-	361

Remarks

Counterweight 176,400 lb 220,500 lb 264,600 lb 308,600 lb 352,700 lb 396,800 lb

Max. capacities with minimum counterweight

Further counterweight configurations on request

LOAD CHARTS

LIFTING CAPACITIES LUFFING FLY JIB WITH SSL, MAIN BOOM

83° – 65°



85 %

169.9 ft + 13.1 ft Main boom + adapter

		Fly jib															
		98.4 ft			118.1 ft			137.8 ft			157.5 ft			177.2 ft			
Radius		83°	73°	65°	83°	73°	65°	83°	73°	65°	83°	73°	65°	83°	73°	65°	Radius
ft		1,000 lb															ft
66		110.5	-	-	-	-	-	-	-	-	-	-	-	-	-	-	66
72		106.5	-	-	92.4	-	-	-	-	-	-	-	-	-	-	-	72
79		102.5	-	-	92.8	-	-	78.3	-	-	-	-	-	-	-	-	79
85		99.2	-	-	86.4	-	-	83.8	-	-	68.6	-	-	-	-	-	85
92		96.1	-	-	83.6	-	-	78.3	-	-	77.4	-	-	70.5	-	-	92
98		93.0	-	-	81.1	-	-	73.0	-	-	73.2	-	-	67.5	-	-	98
105		90.8	-	-	78.7	-	-	69.2	-	-	68.8	-	-	64.4	-	-	105
112		88.8	-	-	76.5	-	-	67.2	-	-	64.4	-	-	61.5	-	-	112
118		86.6	73.2	-	75.0	-	-	65.5	-	-	61.7	-	-	58.4	-	-	118
125		-	69.0	-	73.4	66.1	-	63.5	-	-	58.9	-	-	55.6	-	-	125
131		-	65.5	-	72.1	63.1	-	62.4	-	-	56.9	-	-	53.4	-	-	131
138		-	62.2	-	70.8	59.7	-	61.3	55.6	-	55.6	-	-	50.9	-	-	138
144		-	59.5	-	-	57.1	-	60.2	53.6	-	54.7	49.8	-	48.7	-	-	144
151		-	56.9	48.1	-	54.5	-	59.1	51.6	-	53.8	48.7	-	46.7	42.5	-	151
158		-	-	45.6	-	52.5	-	58.2	49.8	-	52.9	47.6	-	45.9	41.7	-	158
164		-	-	43.4	-	50.5	41.4	-	48.1	-	52.0	46.3	-	45.2	40.8	-	164
177		-	-	-	-	-	37.7	-	44.5	36.4	50.7	43.9	-	43.9	38.8	-	177
190		-	-	-	-	-	35.1	-	40.6	33.1	-	41.2	34.4	42.8	37.3	-	190
203		-	-	-	-	-	-	-	-	30.4	-	38.4	31.3	-	35.7	30.0	203
217		-	-	-	-	-	-	-	-	-	-	-	29.1	-	34.0	27.3	217
230		-	-	-	-	-	-	-	-	-	-	-	26.9	-	31.3	24.9	230
243		-	-	-	-	-	-	-	-	-	-	-	-	-	-	22.7	243
256		-	-	-	-	-	-	-	-	-	-	-	-	-	-	-	256

		Fly jib																		
		196.9 ft			216.5 ft			236.2 ft			255.9 ft			275.6 ft			295.3 ft			
Radius		83°	73°	65°	83°	73°	65°	83°	73°	65°	83°	73°	65°	83°	73°	65°	83°	73°	65°	Radius
ft		1,000 lb															ft			
92		50.5	-	-	-	-	-	-	-	-	-	-	-	-	-	-	-	-	-	92
98		60.6	-	-	40.8	-	-	-	-	-	-	-	-	-	-	-	-	-	-	98
105		58.9	-	-	50.7	-	-	33.3	-	-	-	-	-	-	-	-	-	-	-	105
112		56.9	-	-	49.4	-	-	42.5	-	-	25.1	-	-	-	-	-	-	-	-	112
118		54.9	-	-	47.8	-	-	41.7	-	-	35.1	-	-	19.8	-	-	-	-	-	118
125		53.1	-	-	46.3	-	-	40.8	-	-	34.6	-	-	28.4	-	-	13.4	-	-	125
131		51.1	-	-	44.8	-	-	39.9	-	-	34.2	-	-	28.2	-	-	22.5	-	-	131
138		49.2	-	-	43.2	-	-	38.8	-	-	33.7	-	-	27.8	-	-	22.3	-	-	138
144		47.2	-	-	41.9	-	-	37.9	-	-	33.1	-	-	27.6	-	-	22.0	-	-	144
151		45.2	-	-	40.3	-	-	37.0	-	-	32.6	-	-	27.3	-	-	21.8	-	-	151
158		43.2	-	-	38.8	-	-	35.7	-	-	32.0	-	-	27.1	-	-	21.6	-	-	158
164		41.4	35.9	-	37.5	-	-	34.6	-	-	31.5	-	-	26.9	-	-	21.4	-	-	164
177		38.8	34.4	-	34.6	29.3	-	32.2	-	-	29.5	-	-	26.0	-	-	20.7	-	-	177
190		36.8	32.8	-	32.6	28.0	-	29.8	24.0	-	27.8	19.4	-	25.1	-	-	20.3	-	-	190
203		35.9	31.7	-	30.6	26.9	-	27.8	22.9	-	26.0	19.0	-	24.0	15.0	-	19.4	-	-	203
217		35.3	30.9	26.5	29.5	25.8	-	26.2	21.8	-	24.5	18.5	-	22.9	14.8	-	18.7	10.4	-	217
230		-	29.8	24.0	29.1	25.1	22.0	24.5	20.9	-	22.9	17.9	-	21.6	14.6	-	18.1	10.4	-	230
243		-	28.0	21.8	-	24.3	19.8	23.8	20.3	17.4	21.6	17.4	-	20.5	14.3	-	17.4	10.4	-	243
256		-	-	20.1	-	23.6	18.1	23.6	19.6	15.9	20.5	16.8	13.0	19.2	14.1	9.7	16.8	10.4	-	256
269		-	-	18.3	-	22.0	16.3	-	19.2	14.1	20.1	16.3	12.6	18.1	13.7	9.7	16.1	10.4	6.0	269
282		-	-	-	-	-	14.8	-	18.3	12.6	-	15.7	12.1	17.6	13.4	9.5	15.4	10.4	6.0	282
295		-	-	-	-	-	-	-	-	11.2	-	15.4	10.8	17.2	13.2	9.3	15.0	10.4	6.0	295
308		-	-	-	-	-	-	-	-	10.1	-	14.8	9.5	-	13.0	9.0	14.8	10.4	6.0	308
322		-	-	-	-	-	-	-	-	-	-	-	8.4	-	13.0	7.9	-	10.4	6.0	322
335		-	-	-	-	-	-	-	-	-	-	-	-	-	-	6.8	-	10.4	6.0	335
348		-	-	-	-	-	-	-	-	-	-	-	-	-	-	6.0	-	9.7	4.9	348
361		-	-	-	-	-	-	-	-	-	-	-	-	-	-	-	-	-	-	361

Remarks

Counterweight 176,400 lb 220,500 lb 264,600 lb 308,600 lb 352,700 lb 396,800 lb

Max. capacities with minimum counterweight

Further counterweight configurations on request

Corporate Office

4119 Sheep Pasture Road
Spring Hope, North Carolina 27882

1-877- EDWARDS



Crane Division

Edwards hydraulic crane service is noted as being the largest in North Carolina. We regularly serve our market with 24 hour availability. Our vast fleet of cranes range from 7.5 tons to our flagship 600 ton crane.

Our crane operators are certified by the National Commission for the Certification of Crane Operators (CCO).

visit us on the web today

www.edwardsinc.com

All references to "Edwards" refer to Edwards, Inc. The "Edwards, Inc." logo is a trademark of Edwards, Inc. All other trademarks used herein are the property of their respective owners. Edwards believes the information contained here to be true and accurate. Edwards makes no warranty, expressed or implied based on this literature and assumes no responsibility for consequential or incidental damages in the use or availability of the referenced equipment and specifications, including any warranty of merchantability or fitness. Information contained in this literature is provided for marketing and evaluation purposes only.

© 2009 Edwards, Inc. All rights reserved.